



Fitting type: Inset

Sink handing: Reversible

Finish style: Grey metallic granite

- **Min. base unit (bowl, tap & overflow only):** 600 mm
- **Packaged size L x W x D:** 1100 x 610 x 285mm
- **Supplied boxed or sleeved:** Boxed - brown
- **Boxed weight:** 22.60 kg
- **Sink only weight:** 16.74 kg

- Durable matt finish granite composite construction throughout
- Softened square edges for a sharp but easy clean look
- One a half bowl design for maximum practicality
- Sleek brushed metal 'hidden' orbit overflow design
- Smooth lined luxury Orbit waste supplied as standard

Included parts:



2 x AX1002 (m)
90mm (1.5") Orbit manual basket
strainer waste - long bolt



1 x AX1007 (m)
Round overflow pipework



1 x AX1009 (m)
1.5 or 2.0 Bowl pipework

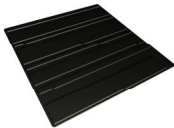


1 x AX4004 (m)
Fitting & care instructions & data sheet
- coloured inset



1 x AX1033 (m)
Composite inset fixing clips x 8

Recommended accessories:



1 x AX2500
Silicone drainer mat 320 x 320mm



1 x AX2503
High & Dry drainer rack - White and
grey

All accessories can be purchased directly from www.abode-shop.co.uk or phone 01226 283434

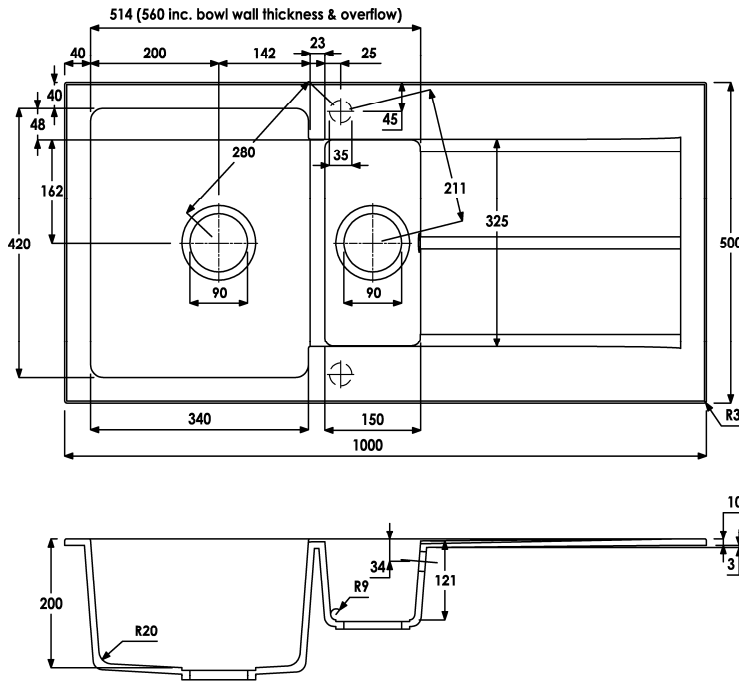
Materials and workmanship warranty summary:

- Sink materials & workmanship 10 years.
- Waste kits 1 year.
- Connecting pipework 1 year.

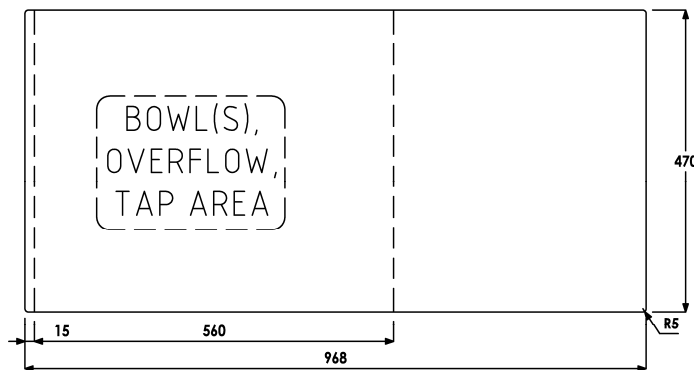
Care instructions:

- Clean the products regularly using soapy water and a non abrasive cloth, regular cleaning will prevent the build up of lime scale and dirt.
- Avoid contact with corrosive or abrasive substances.
- After cleaning rinse thoroughly with clean water then dry.
- For more detail see supplied booklet or www.abodedesigns.co.uk

Product dimensions and installation information: note:  symbol indicates position of acoustic pad on stainless products.



INSET CUT OUT



Additional notes: Repeated release of boiling hot water directly into coloured sinks can in extreme cases cause crazing and even cracking. Therefore we recommend great care is taken not to release the water directly on to the sink surface at full temperature.

Overall product size: 1000 x 500 x 220 corner radius 3mm

Taphole(s) detail: 2 x Ø 35mm, Part drilled for drill guide

Compatibility with large square taps: No known incompatibilities

Wastehole(s) detail (mm): 90 / 90 / N/A (nb. 90mm wastes accept a waste disposal unit)

Min. base unit (refers to space required for bowl, tap and overflow only): fits 600mm carcass

Min. Recessed fitting width: required (bowl(s), tap and overflow): 560mm

***Worktop cut out size:** 968x470 corner radius 5mm, for .DXF cut files please see www.abodedesigns.co.uk

Min. & Max worktop depth or clip depth reach range: 28 - 45mm

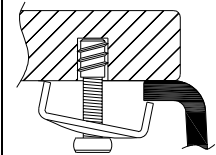
Fitting temple supplied? No, use cut out instructions as supplied

Dishwasher under drainer? Distance from top of worktop to underside of the drainer 3mm



*Important, fabricator / installer notes for undermount & flushmount sinks:

The cut out size indicated is aligned with outside edge of the bowl top radius (see example below).



You should confirm with your client if the worksurface cutout is to be cut flush, inside or outside this suggested perimeter shape & size.

If you create the cutout smaller or larger than the indicated size then the fit of the accessories may be affected and should be physically checked.

General:

All details are provided in good faith but do not include the tolerances of the material or manufacturing process.

We request that a test cutout is made in scrap timber and checked against the actual sink to be installed before committing to cutting the final worksurface.

Abode can not accept liability for problems or costs incurred by failure to follow this request.

Note: the dimensions on ceramic fireclay products are subject to wider tolerances due to the nature of this natural material and the firing process.

CAD cutout files can be downloaded from www.abodedesigns.co.uk

Bowl details: (sizes in mm unless specified otherwise)

Bowl 1 (typically main bowl):

Bowl 1 size L x W x D (mm): 340 x 420 x 200

Bowl 1 construction: Moulded, 10.00mm

Bowl 1 floor radius (mm): 20

Bowl 1 Wastehole diameter (mm): 90

Bowl 1 overflow: None

Bowl 1 texture: Matt textured

Bowl 1 apx. volume (litres): 29.44

Bowl 2 (typically 1/2 or 3/4 bowl):

Bowl 2 size L x W x D (mm): 150 x 325 x 121

Bowl 2 construction: Moulded, 10.00mm

Bowl 2 floor radius (mm): 9

Bowl 2 Wastehole diameter (mm): 90

Bowl 2 overflow: Circular, 30mm diameter

Bowl 2 texture: Matt textured

Bowl 2 apx. volume (litres): 3.80

Bowl 3:

Bowl 3 size L x W x D (mm): N/A x N/A x N/A

Bowl 3 construction: N/A, N/Amm

Bowl 3 floor radius (mm): N/A

Bowl 3 Wastehole diameter (mm): N/A

Bowl 3 overflow: N/A

Bowl 3 texture: N/A

Bowl 3 apx. volume (litres): N/A