

**Fitting type:** Undermount or Inset

**Sink handing:** Left hand main bowl

**Finish style:** Black metallic granite

- **Min. base unit (bowl, tap & overflow only):** 800 mm
- **Packaged size L x W x D:** 685 x 575 x 270mm
- **Supplied boxed or sleeved:** Boxed
- **Boxed weight:** kg
- **Sink only weight:** 19.00 kg

- Durable matt finish granite composite construction throughout
- High capacity bowl volume to accept larger cookware
- Product can be installed inset or undermount
- Comfortably fits in a 800 base cabinet including fixing clips
- Smooth lined luxury Orbit waste supplied as standard
- Taphole provision to accept Switch filter diverter? Yes, on sink deck

**Included parts:**



2 x AX1002 (m)  
90mm (1.5") Orbit manual basket strainer waste - long bolt



1 x AX1007 (m)  
Round overflow pipework



1 x AX1009 (m)  
1.5 or 2.0 Bowl pipework

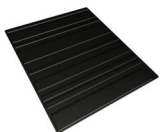


1 x AX4014 (m)  
Fitting & care instructions & data sheet - GR10 (inset and undermount)



1 x AX1044 (m)  
GR10 Undermount clips x 8

**Recommended accessories:**



1 x AX2501  
Silicone drainer mat 330 x 390mm



1 x AX2502 or AX2503  
High & Dry drainer rack - Lime green and grey

All accessories can be purchased directly from [www.abode-shop.co.uk](http://www.abode-shop.co.uk) or phone 01226 283434

**Materials and workmanship warranty summary:**

- Sink materials & workmanship 10 years.
- Waste kits 1 year.
- Connecting pipework 1 year.

**Care instructions:**

- Clean the products regularly using soapy water and a non abrasive cloth, regular cleaning will prevent the build up of lime scale and dirt.
- Avoid contact with corrosive or abrasive substances.
- After cleaning rinse thoroughly with clean water then dry.
- For more detail see supplied booklet or [www.abode.eu](http://www.abode.eu)



EN13310:2003

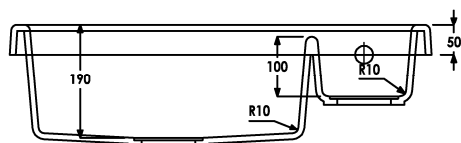
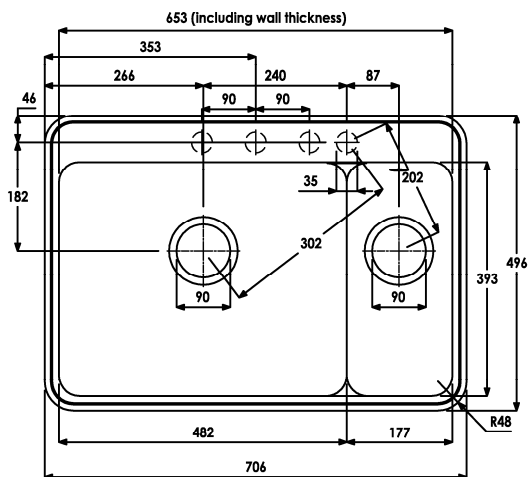
Domestic kitchen sink made of Granite & Acrylic composite

Cleanability: Pass  
Load resistance: NPD / NA (applies to wall hung sinks only)  
Durability: Pass  
For more information see [www.abode.eu/ce.html](http://www.abode.eu/ce.html)

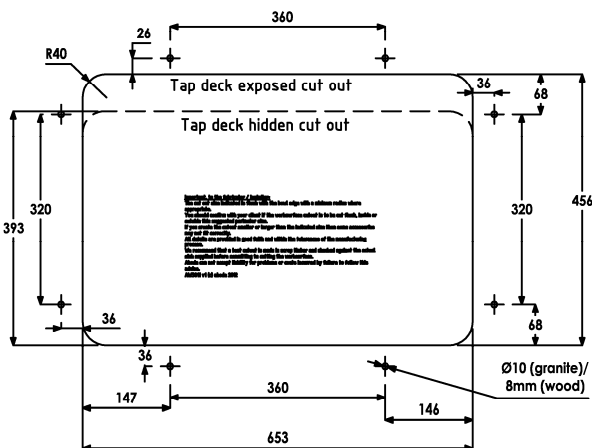
**Product dimensions and installation information:** note:



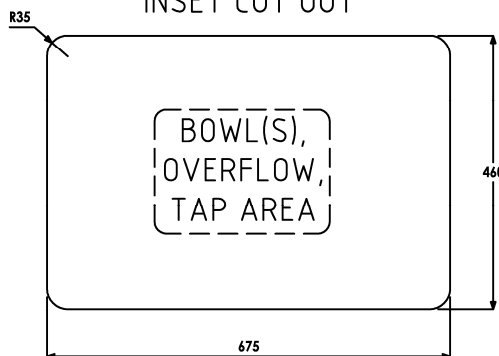
symbol indicates position of acoustic pad on stainless products.



**UNDERMOUNT CUT OUT**



**INSET CUT OUT**



**Overall product size:** 706 x 496 x 210 corner radius 48mm

**Tap hole(s) detail:** 4 x Ø 35mm, Part drilled for drill guide

**Compatibility with large square taps:**

**Wastehole(s) detail (mm):** 90 / 90 / N/A (nb. 90mm wastes accept a waste disposal unit)

**Min. base unit (refers to space required for bowl, tap and overflow only):** fits 800mm carcass

**Min. Recessed fitting width:** required (bowl(s), tap and overflow): 658mm

**\*Worktop cut out size:** 0x0 corner radius 0mm, for .DXF cut files please see [www.abode.eu](http://www.abode.eu)

**Min. & Max worktop depth or clip depth reach range:** 0 - 0mm

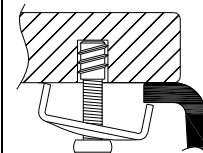
**Fitting temple supplied?** No, use cut out drawing for fitting type required

**Dishwasher under drainer?** Distance from top of worktop to underside of the drainer 0mm



**\*Important, fabricator / installer notes for undermount & flushmount sinks:**

The cut out size indicated is aligned with outside edge of the bowl top radius (see example below).



You should confirm with your client if the worksurface cutout is to be cut flush, inside or outside this suggested perimeter shape & size.

If you create the cutout smaller or larger than the indicated size then the fit of the accessories may be affected and should be physically checked.

**General:**

All details are provided in good faith but do not include the tolerances of the material or manufacturing process.

**We request that a test cutout is made in scrap timber and checked against the actual sink to be installed before committing to cutting the final worksurface.**

**Abode can not accept liability for problems or costs incurred by failure to follow this request.**

Note: the dimensions on ceramic fireclay products are subject to wider tolerances due to the nature of this natural material and the firing process.

CAD cutout files can be downloaded from [www.abode.eu](http://www.abode.eu)

**Bowl details:** (sizes in mm unless specified otherwise)

**Bowl 1 (typically main bowl):**

**Bowl 1 size L x W x D (mm):** 482 x 393 x 190

**Bowl 1 construction:** Moulded, 10.00mm

**Bowl 1 floor radius (mm):** 10

**Bowl 1 Wastehole diameter (mm):** 90

**Bowl 1 overflow:** None

**Bowl 1 texture:** Matt textured

**Bowl 1 apx. volume (litres):** 27.50

**Bowl 2 (typically 1/2 or 3/4 bowl):**

**Bowl 2 size L x W x D (mm):** 177 x 393 x 100

**Bowl 2 construction:** Moulded, 10.00mm

**Bowl 2 floor radius (mm):** 10

**Bowl 2 Wastehole diameter (mm):** 90

**Bowl 2 overflow:** Circular, 30mm diameter

**Bowl 2 texture:** Matt textured

**Bowl 2 apx. volume (litres):** 3.20

**Bowl 3:**

**Bowl 3 size L x W x D (mm):** N/A x N/A x N/A

**Bowl 3 construction:** N/A, N/Amm

**Bowl 3 floor radius (mm):** N/A

**Bowl 3 Wastehole diameter (mm):** N/A

**Bowl 3 overflow:** N/A

**Bowl 3 texture:** N/A

**Bowl 3 apx. volume (litres):** N/A

**Important: Please retain this sheet for future use**