



**Fitting type:** Undermount or Inset

**Sink handing:** Left hand main bowl

**Finish style:** White glaze

- **Min. base unit (bowl, tap & overflow only):** 800 mm
- **Packaged size L x W x D:** 655 x 575 x 300mm
- **Supplied boxed or sleeved:** Boxed - brown
- **Boxed weight:** 24.70 kg
- **Sink only weight:** 19.40 kg

- Durable finest grade fireclay construction throughout
- One a half bowl design for maximum practicality
- Can be fitted as undermount or inset
- Smooth lined luxury Orbit waste supplied as standard
- Hand finished quality

**Included parts:**



2 x AX1002 (m)  
90mm (1.5") Orbit manual basket  
strainer waste - long bolt



1 x AX1105 (m)  
Rectangular overflow (55x30mm  
vertical)



1 x AX1009 (m)  
1.5 or 2.0 Bowl pipework



1 x AX4003 (m)  
Fitting & care instructions & data sheet  
- ceramic undermount

**Recommended accessories:**



1 x AX2503  
High & Dry drainer rack - White and  
grey

All accessories can be  
purchased directly from  
[www.abode-shop.co.uk](http://www.abode-shop.co.uk)  
or phone 01226 283434

**Materials and workmanship warranty summary:**

- Sink materials & workmanship 10 years.
- Waste kits 1 year.
- Connecting pipework 1 year.

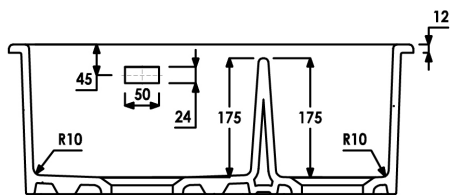
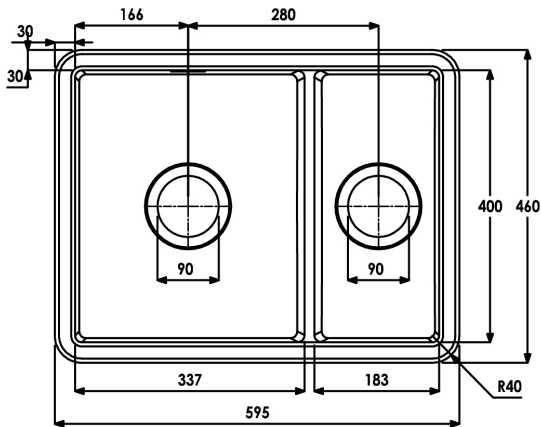
**Care instructions:**

- Clean the products regularly using soapy water and a non abrasive cloth, regular cleaning will prevent the build up of lime scale and dirt.
- Avoid contact with corrosive or abrasive substances.
- After cleaning rinse thoroughly with clean water then dry.
- For more detail see supplied booklet or [www.abodedesigns.co.uk](http://www.abodedesigns.co.uk)

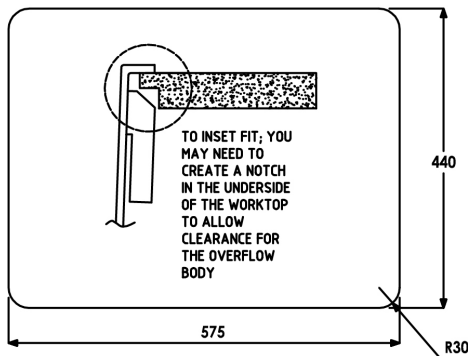
**Product dimensions and installation information:** note:



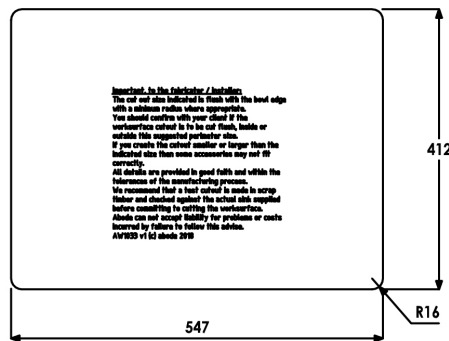
symbol indicates position of acoustic pad on stainless products.



**INSET CUT OUT**



**UNDERMOUNT CUT OUT**

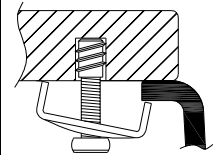


**Inserted in the Fabricator / Installer:**  
The cut out also indicated to finish with the best edge with a minimum radius where appropriate.  
You should confirm with your client if the worksurface cutout is to be cut flush, inside or outside this suggested perimeter size.  
If you create the cutout smaller or larger than the indicated size then some accessories may not fit correctly.  
All details are provided in good faith and within the tolerances of the manufacturing process.  
We recommend that a test cutout is made in scrap timber and checked against the actual sink supplied before committing to cutting the worksurface.  
Abode can not accept liability for problems or costs incurred by failure to follow this advice.  
AW103 v1.01 made 01/18



**\*Important, fabricator / installer notes for undermount & flushmount sinks:**

The cut out size indicated is aligned with outside edge of the bowl top radius (see example below).



You should confirm with your client if the worksurface cutout is to be cut flush, inside or outside this suggested perimeter shape & size.

If you create the cutout smaller or larger than the indicated size then the fit of the accessories may be affected and should be physically checked.

**General:**

All details are provided in good faith but do not include the tolerances of the material or manufacturing process.

**We request that a test cutout is made in scrap timber and checked against the actual sink to be installed before committing to cutting the final worksurface.**

**Abode can not accept liability for problems or costs incurred by failure to follow this request.**

Note: the dimensions on ceramic fireclay products are subject to wider tolerances due to the nature of this natural material and the firing process.

CAD cutout files can be downloaded from [www.abodedesigns.co.uk](http://www.abodedesigns.co.uk)

**Additional notes:** Ceramic is a natural hand finished material, you should expect variance in product finishes and sizes  
**Overall product size:** 595 x 460 x 220 corner radius 40mm

**Tap hole(s) detail:** None

**Compatibility with large square taps:**

**Wastehole(s) detail (mm):** 90 / 90 / N/A (nb. 90mm wastes accept a waste disposal unit)

**Min. base unit (refers to space required for bowl, tap and overflow only):** fits 800mm carcass

**Min. Recessed fitting width:** required (bowl(s), tap and overflow): 560mm

**\*Worktop cut out size:** 0x0 corner radius 0mm, for .DXF cut files please see [www.abode.eu](http://www.abode.eu)

**Min. & Max worktop depth or clip depth reach range:** 0 - 0mm

**Fitting template supplied?** No, use cut out instructions as supplied, adjust according to the product received

**Dishwasher under drainer?** Distance from top of worktop to underside of the drainer 0mm

**Bowl details:** (sizes in mm unless specified otherwise)

**Bowl 1 (typically main bowl):**

**Bowl 1 size L x W x D (mm):** 337 x 400 x 175

**Bowl 1 construction:** Moulded, 12.00mm

**Bowl 1 floor radius (mm):** 10

**Bowl 1 Wastehole diameter (mm):** 90

**Bowl 1 overflow:** Rectangular

**Bowl 1 texture:** White glaze

**Bowl 1 apx. volume (litres):** 21.50

**Bowl 2 (typically 1/2 or 3/4 bowl):**

**Bowl 2 size L x W x D (mm):** 183 x 400 x 175

**Bowl 2 construction:** Moulded, 12.00mm

**Bowl 2 floor radius (mm):** 10

**Bowl 2 Wastehole diameter (mm):** 90

**Bowl 2 overflow:** N/A

**Bowl 2 texture:** White glaze

**Bowl 2 apx. volume (litres):** 11.10

**Bowl 3:**

**Bowl 3 size L x W x D (mm):** N/A x N/A x N/A

**Bowl 3 construction:** N/A, N/Amm

**Bowl 3 floor radius (mm):** N/A

**Bowl 3 Wastehole diameter (mm):** N/A

**Bowl 3 overflow:** N/A

**Bowl 3 texture:** N/A

**Bowl 3 apx. volume (litres):** N/A