

Product Finish: Brushed Nickel

Product code: AT2239  
EAN13 barcode: 5060879994638



**Product features:**

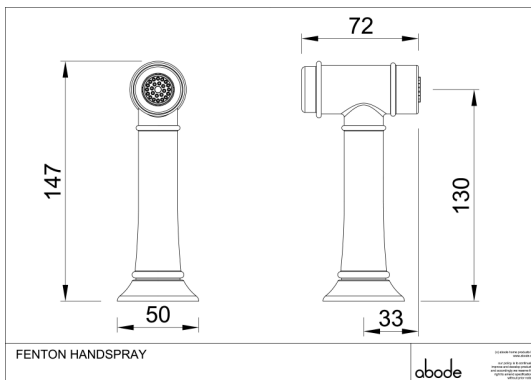
- Traditional French provincial styling
- Flow Limited to 5 Litres per Minute for Part G compliance
- 1.5M pull out nylon sprayhead hose
- Single spray pattern showerhead
- Connects to any water supply, works independently of the tap

**Additional information / Parts included:**

SCO0616400000 Fixing kit

Note: the image shown may not reflect the product finish, chrome finish is typically depicted.

**Product dimensions:**



- Overall, Height / projection: 147 mm
- Exit reach: 33 mm
- Exit height: 130 mm
- Centre distance(s):

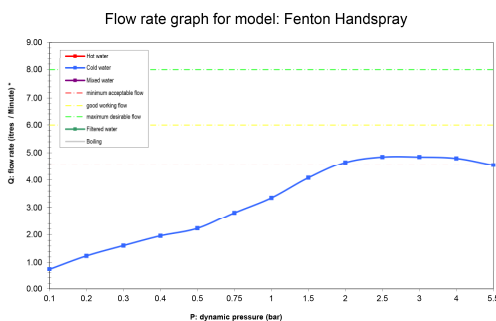
- Base diameter(s): 50 mm
- Recommended hole diameter: Ø 35 mm
- Max. surface depth: 50 mm

- Spout diameter: 30 mm
- Spout aerator size: M24 x 1

**Packaged properties:**

- Box length: 330mm
- Box width: 130mm
- Box depth: 70mm
- Units per outer: 10
- Tap only weight: 0.70kg
- Boxed weight: 0.99kg

**Product flow characteristics:**



- Min / Max water pressure: 1.50 / 5 bar
- Recommended / Max water temperature: 46°C / 70°C
- Part G - Mixed flow rate at 3 bar (litres / min): 04.85

- Control valve type: On - Off Cartridge
- Product flow characteristics: Single flow
- Non return valve(s): Yes, located in handpray body

- Aerator type: Spray 5lpm
- Accepts revolve / spray areator: No
- Spout connection method: N/A

- Tail pipe inlet / outlet size: N/A / N/A
- Inlet pipe type / length: N/A / N/A mm

**Care instructions summary:**

- Clean the mixers and showers regularly as required, using soap, do not use any other cleaners.
- Regular cleaning will prevent the build-up of lime scale and dirt
- After cleaning rinse thoroughly with clean water to remove any cleaner residue
- Residues of sink & worktop cleaners can also cause damage, so rinse with clean water after using, avoid contact with any abrasives

**Warranty Summary** (Full details available on request):

- Materials and workmanship defects warranted for 5 years
- Valves and working parts warranted for 5 years
- Surface warranty defects warranted for 1 year
- O-rings, hoses & gaskets warranted for 1 year