

Product Finish: **Antique Brass**

Product code: **AT2231**
 EAN13 barcode: **5060879994553**



Product features:

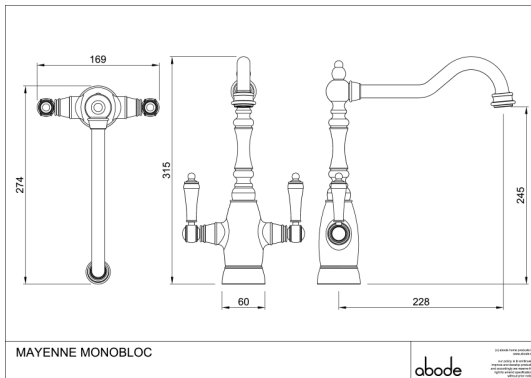
- Traditional French provincial styling
- Quarter turn handle action for precise flow control
- Metal construction throughout
- Flow Limited to 5 Litres per Minute for Part G compliance
- Supplied complete with flexible tail pipes for fast simple fitting

Additional information / Parts included:

Includes additional Honeycomb 1.5gpm

Note: the image shown may not reflect the product finish, chrome finish is typically depicted.

Product dimensions:



- Overall, Height / projection:** 315 mm
- Exit reach:** 228 mm
- Exit height:** 245 mm
- Centre distance(s):**

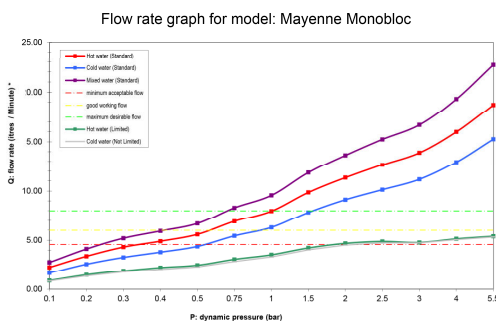
- Base diameter(s):** 60 mm
- Recommended hole diameter:** Ø 35 mm
- Max. surface depth:** 50 mm

- Spout diameter:** 20 mm
- Spout aerator size:** M22 x 1

Packaged properties:

- Box length:** 435mm
- Box depth:** 70mm
- Box width:** 340mm
- Units per outer:** 5
- Tap only weight:** 2.56kg
- Boxed weight:** 3.37kg

Product flow characteristics:



- Min / Max water pressure:** 0.30 / 5 bar
- Recommended / Max water temperature:** 46°C / 70°C
- Part G - Mixed flow rate at 3 bar (litres / min):** 16.71

- Control valve type:** Ceramic disc QT
- Product flow characteristics:** Single flow
- Non return valve(s):** None

- Aerator type:** Honeycomb Aerator
- Accepts revolve / spray areator:** No
- Spout connection method:** Grub screw

- Tail pipe inlet / outlet size:** M12 / 1/2" BSP Female
- Inlet pipe type / length:** Flexible stainless braided hose / 250 mm

Care instructions summary:

- Clean the mixers and showers regularly as required, using soap, do not use any other cleaners.
- Regular cleaning will prevent the build-up of lime scale and dirt
- After cleaning rinse thoroughly with clean water to remove any cleaner residue
- Residues of sink & worktop cleaners can also cause damage, so rinse with clean water after using, avoid contact with any abrasives

Warranty Summary (Full details available on request):

- Materials and workmanship defects warranted for 5 years
- Valves and working parts warranted for 5 years
- Surface warranty defects warranted for 1 year
- O-rings, hoses & gaskets warranted for 1 year