

Product Finish: Scandi Grey

Product code: AT2208  
EAN13 barcode: 5060879991927



Note: the image shown may not reflect the product finish, chrome finish is typically depicted.

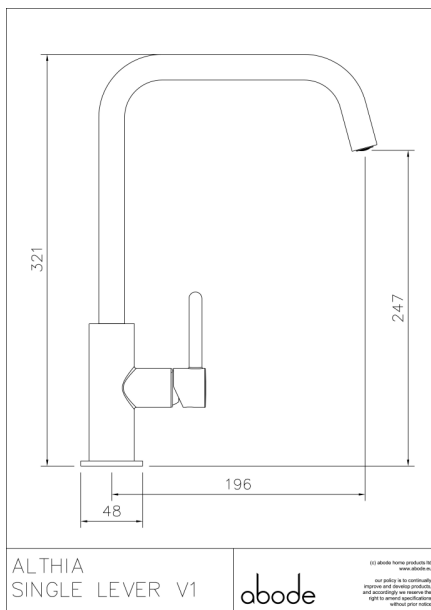
### Product features:

- Metal & ABS construction
- Leading design performance requiring higher pressures
- Elegant retro design form
- Fixing kit designed for thicker surface depths
- Supplied complete with installation kit and filter cartridge

### Additional information / Parts included:

Triangular stabiliser -sco06091 kit

### Product dimensions:



- **Overall, Height / projection:** 321 mm
- **Exit reach:** 196 mm
- **Exit height:** 247 mm
- **Centre distance(s):**

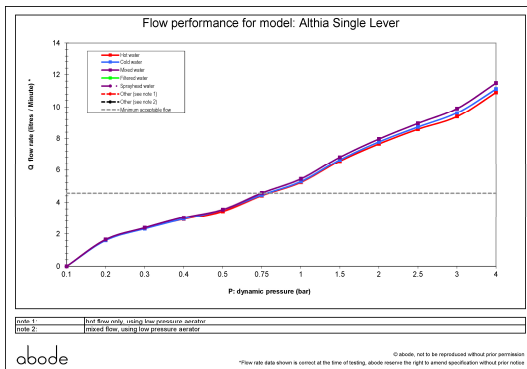
- **Base diameter(s):** 48 mm
- **Recommended hole diameter:** Ø 36 mm
- **Max. surface depth:** 50 mm

- **Spout diameter:** 21 mm
- **Spout aerator size:** M16.5 x2

### Packaged properties:

- Box length:** 435mm
- Box depth:** 70mm
- Box width:** 340mm
- Units per outer:** 5
- Tap only weight:** 0.71kg
- Boxed weight:** 1.42kg

### Product flow characteristics:



- **Min / Max water pressure:** 0.75 / 5.50 bar
- **Recommended / Max water temperature:** 46°C / 70°C
- **Part G - Mixed flow rate at 3 bar (litres / min):** 09.90

- **Control valve type:** Single lever ceramic cartridge
- **Product flow characteristics:** Single flow
- **Non return valve(s):** Integral to hot & cold inlets

- **Aerator type:** Honeycomb coin slot aerator
- **Accepts revolve / spray areator:** No
- **Spout connection method:** Grub screw

- **Tail pipe inlet / outlet size:** M11 / 1/2" BSP Male
- **Inlet pipe type / length:** flexible stainless braided hose / 366 mm

### Care instructions summary:

- Clean the mixers and showers regularly as required, using soap, do not use any other cleaners.
- Regular cleaning will prevent the build-up of lime scale and dirt
- After cleaning rinse thoroughly with clean water to remove any cleaner residue
- Residues of sink & worktop cleaners can also cause damage, so rinse with clean water after using, avoid contact with any abrasives

### Warranty Summary (Full details available on request):

- Materials and workmanship defects warranted for 5 years
- Valves and working parts warranted for 5 years
- Surface warranty defects warranted for 1 year
- O-rings, hoses & gaskets warranted for 1 year