

Product Finish: Matt Black & Brushed Brass

Product code: AT2187
EAN13 barcode: 5060879990432



Product features:

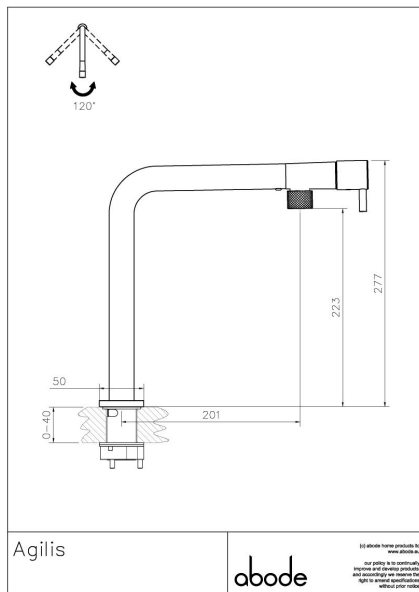
- Metal construction throughout
- Single lever control for effortless single handed control
- Urban industrial styling
- Supplied complete with flexible tail pipes for fast simple fitting
- Antisplash spout supplied as standard

Additional information / Parts included:

2.5mm a/f Allen key included

Note: the image shown may not reflect the product finish, chrome finish is typically depicted.

Product dimensions:



- Overall Height / projection:** 277 mm
- Exit reach:** 201 mm
- Exit height:** 223 mm
- Centre distance(s):**

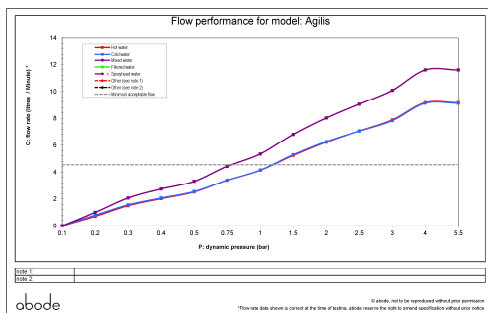
- Base diameter(s):** 50 mm
- Recommended hole diameter:** Ø 35 mm
- Max. surface depth:** 40 mm

- Spout diameter:** 28 mm
- Spout aerator size:** M22 male

Packaged properties:

- Box length:** 435mm
- Box depth:** 70mm
- Box width:** 340mm
- Units per outer:** 5
- Tap only weight:** 1.31kg
- Boxed weight:** 2.10kg

Product flow characteristics:



- Min / Max water pressure:** 0.75 / 5.5 bar
- Recommended / Max water temperature:** 46°C / 70°C
- Part G - Mixed flow rate at 3 bar (litres / min):** 10.09

- Control valve type:** Single lever ceramic cartridge
- Product flow characteristics:** Single flow
- Non return valve(s):** Integral to hot & cold inlets

- Aerator type:** Honeycomb Aerator
- Accepts revolve / spray areator:** No
- Spout connection method:** Not applicable

- Tail pipe inlet / outlet size:** M8 / 3/8" Female non captive (c/w 3/8" m x 1/2"F adaptors)

Care instructions summary:

- Clean the mixers and showers regularly as required, using soap, do not use any other cleaners.
- Regular cleaning will prevent the build-up of lime scale and dirt
- After cleaning rinse thoroughly with clean water to remove any cleaner residue
- Residues of sink & worktop cleaners can also cause damage, so rinse with clean water after using, avoid contact with any abrasives

Warranty Summary (Full details available on request):

- Materials and workmanship defects warranted for 5 years
- Valves and working parts warranted for 5 years
- Surface warranty defects warranted for 1 year
- O-rings, hoses & gaskets warranted for 1 year