

Product Finish: Brushed Nickel

Product code: AT2153  
EAN13 barcode: 5060344159661



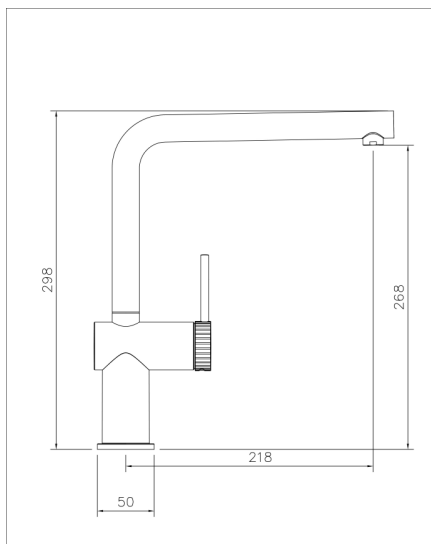
Note: the image shown may not reflect the product finish, chrome finish is typically depicted.

### Product features:

- Metal construction throughout
- Single lever control for effortless single handed control
- Solid and functional European architect design styling
- Supplied complete with flexible tail pipes for fast simple fitting
- Antisplash spout supplied as standard

### Additional information / Parts included:

### Product dimensions:



FRACTION  
SINGLE LEVER

abode

(c) abode home products ltd  
www.abode.co.uk  
our policy is to continually  
improve our design products,  
and accordingly we reserve the  
right to change specifications  
without prior notice

- Overall Height / projection: 298 mm
- Exit reach: 218 mm
- Exit height: 268 mm
- Centre distance(s):

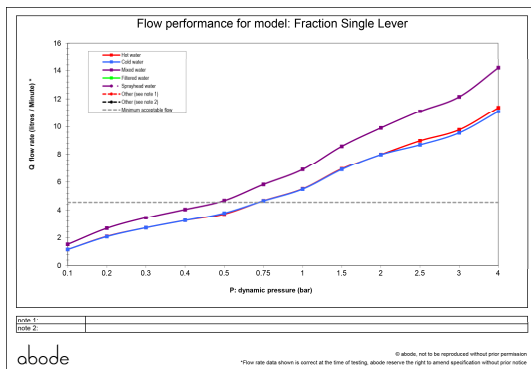
- Base diameter(s): 50 mm
- Recommended hole diameter: Ø 35 mm
- Max. surface depth: 40 mm

- Spout diameter: 24 mm
- Spout aerator size: M18 x 1 male

### Packaged properties:

- |                         |                      |
|-------------------------|----------------------|
| Box length: 435mm       | Box depth: 70mm      |
| Box width: 340mm        | Units per outer: 5   |
| Tap only weight: 1.08kg | Boxed weight: 1.65kg |

### Product flow characteristics:



- Min / Max water pressure: 0.50 / 5.5 bar
- Recommended / Max water temperature: 46°C / 70°C
- Part G - Mixed flow rate at 3 bar (litres / min): 12.15

- Control valve type: Single lever ceramic cartridge
- Product flow characteristics: Single flow
- Non return valve(s): Cold only

- Aerator type: Honeycomb Aerator
- Accepts revolve / spray areator: No
- Spout connection method: Grub screw

- Tail pipe inlet / outlet size: M8 / 1/2" Male (Hot), 1/2" Female (Cold)
- Inlet pipe type / length: flexible stainless braided hose / tbc mm

### Care instructions summary:

- Clean the mixers and showers regularly as required, using soap, do not use any other cleaners.
- Regular cleaning will prevent the build-up of lime scale and dirt
- After cleaning rinse thoroughly with clean water to remove any cleaner residue
- Residues of sink & worktop cleaners can also cause damage, so rinse with clean water after using, avoid contact with any abrasives

### Warranty Summary (Full details available on request):

- Materials and workmanship defects warranted for 5 years
- Valves and working parts warranted for 5 years
- Surface warranty defects warranted for 1 year
- O-rings, hoses & gaskets warranted for 1 year