

Product Finish: **Antique Brass**

Product code: **AT2090**
 EAN13 barcode: **5060344157148**



Product features:

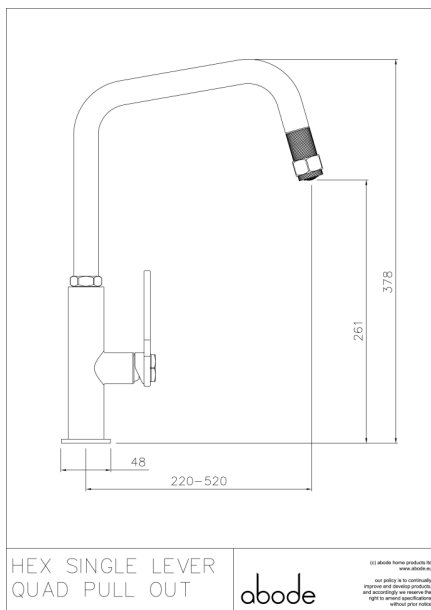
- Metal construction throughout
- Single lever control for effortless single handed control
- Urban industrial styling
- Pull out hose spout head
- Supplied complete with flexible tail pipes for fast simple fitting

Additional information / Parts included:

The installation of this product should respect requirement IRN R090.

Note: the image shown may not reflect the product finish, chrome finish is typically depicted.

Product dimensions:



- **Overall Height / projection:** 378 mm
- **Exit reach:** 220-520 mm
- **Exit height:** 261 mm
- **Centre distance(s):**

- **Base diameter(s):** 48 mm
- **Recommended hole diameter:** Ø 35 mm
- **Max. surface depth:** 45 mm

- **Spout diameter:** 24 mm
- **Spout aerator size:** M22F

Packaged properties:

- Box length:** 575mm
- Box depth:** 80mm
- Box width:** 350mm
- Units per outer:** 5
- Tap only weight:** 1.39kg
- Boxed weight:** 2.40kg

Product flow characteristics:



- **Min / Max water pressure:** 1.25 / 5.50 bar
- **Recommended / Max water temperature:** 46°C / 70°C
- **Part G - Mixed flow rate at 3 bar (litres / min):** 07.11

- **Control valve type:** Single lever ceramic cartridge
- **Product flow characteristics:** Single flow
- **Non return valve(s):** Integral to sprayhead, Hot and Cold inlets

- **Aerator type:** Honeycomb coin slot aerator
- **Accepts revolve / spray areator:** No
- **Spout connection method:** Grub screw

- **Tail pipe inlet / outlet size:** M8 / 1/2" BSP Male
- **Inlet pipe type / length:** flexible stainless braided hose / 365 mm

Care instructions summary:

- Clean the mixers and showers regularly as required, using soap, do not use any other cleaners.
- Regular cleaning will prevent the build-up of lime scale and dirt
- After cleaning rinse thoroughly with clean water to remove any cleaner residue
- Residues of sink & worktop cleaners can also cause damage, so rinse with clean water after using, avoid contact with any abrasives

Warranty Summary (Full details available on request):

- Materials and workmanship defects warranted for 5 years
- Valves and working parts warranted for 5 years
- Surface warranty defects warranted for 1 year
- O-rings, hoses & gaskets warranted for 1 year