

Product Finish: Chrome

Product code: AT2005
EAN13 barcode: 5060048381207



Note: the image shown may not reflect the product finish, chrome finish is typically depicted.

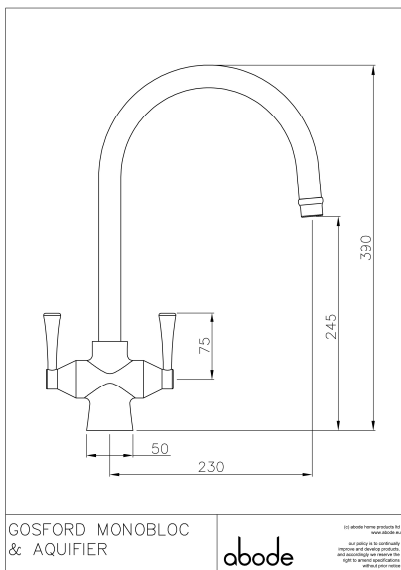
Product features:

- Metal construction throughout
- Push the cold lever backwards for crystal clear filtered water, easy to change, high quality carbon filter
- Supplied complete with installation kit and filter cartridge
- Quarter turn handle action for precise flow control
- Antisplash spout supplied as standard

Additional information / Parts included:

Note: sufficient space behind the tap should be available to allow the cold handle to rotate backwards, includes 17mm box spanner

Product dimensions:



- Overall Height / projection: 390 mm
- Exit reach: 230 mm
- Exit height: 245 mm
- Centre distance(s):

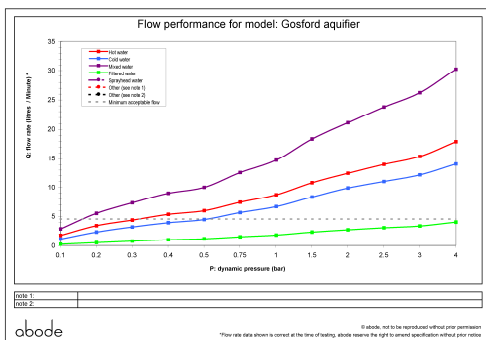
- Base diameter(s): 50 mm
- Recommended hole diameter: Ø 35 mm
- Max. surface depth: 65 mm

- Spout diameter: 24 mm
- Spout aerator size: 22f

Packaged properties:

- Box length: 575mm
- Box depth: 75mm
- Box width: 355mm
- Units per outer: 5
- Tap only weight: 1.88kg
- Boxed weight: 2.474*kg

Product flow characteristics:



- Min / Max water pressure: 0.30 / 5.5 bar
- Recommended / Max water temperature: 46°C / 70°C
- Part G - Mixed flow rate at 3 bar (litres / min): 28.80

- Control valve type: Ceramic disc QT
- Product flow characteristics: (C&F / H) dual flow
- Non return valve(s): No, none required

- Aerator type: Flow straightener (fitted) + optional hi-flow
- Accepts revolve / spray areator: Yes
- Spout connection method: Grub screw

- Tail pipe inlet / outlet size: M12 / 15mm Ø
- Inlet pipe type / length: copper rigid tube / 245 mm

Care instructions summary:

- Clean the mixers and showers regularly as required, using soap, do not use any other cleaners.
- Regular cleaning will prevent the build up of lime scale and dirt
- After cleaning rinse thoroughly with clean water to remove any cleaner residue
- Residues of sink & worktop cleaners can also cause damage, so rinse with clean water after using, avoid contact with any abrasives

Warranty Summary (Full details available on request):

- Materials and workmanship defects warranted for 5 years
- Valves and working parts warranted for 5 years
- Surface warranty defects warranted for 1 year
- O-rings, hoses & gaskets warranted for 1 year