

Product Finish: Chrome

Product code: AT1267  
EAN13 barcode: 5060344153751



Note: the image shown may not reflect the product finish, chrome finish is typically depicted.

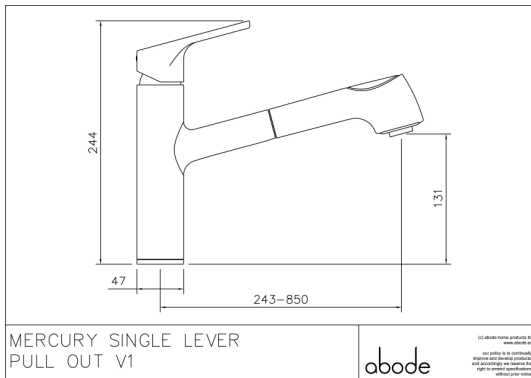
### Product features:

- Metal construction throughout
- Modern minimalism with flair
- Single lever control for effortless single handed control
- Multi spray pattern showerhead
- Supplied complete with flexible tail pipes for fast simple fitting

### Additional information / Parts included:

The installation of this product should respect requirement IRN R090.  
Includes M8 x 3/8" F x 450mm, 3/8" M x M10 F Brass two part connector

### Product dimensions:



- Overall Height / projection: 244 mm
- Exit reach: 243-850 mm
- Exit height: 131 mm
- Centre distance(s):

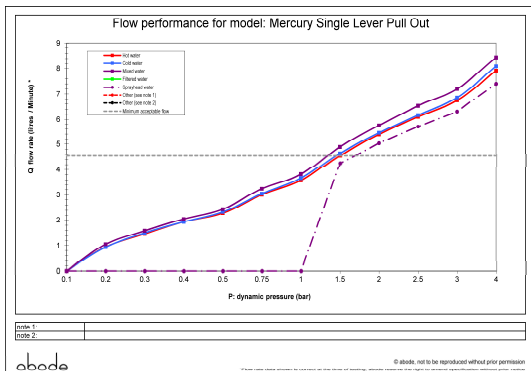
- Base diameter(s): 47 mm
- Recommended hole diameter: Ø 35 mm
- Max. surface depth: 55 mm

- Spout diameter: 30 mm
- Spout aerator size: M24x1

### Packaged properties:

- Box length: 560mm
- Box width: 300mm
- Box depth: 80mm
- Units per outer: 5
- Tap only weight: 2.14kg
- Boxed weight: 3.32kg

### Product flow characteristics:



- Min / Max water pressure: 1.50 / 5.5 bar
- Recommended / Max water temperature: 46°C / 70°C
- Part G - Mixed flow rate at 3 bar (litres / min): 06.31

- Control valve type: 35mm single lever ceramic cartridge
- Product flow characteristics: Single flow
- Non return valve(s): Hot & cold (separate)

- Aerator type: Honeycomb aerator
- Accepts revolve / spray areator: No
- Spout connection method: N/a

- Tail pipe inlet / outlet size: M8 / 1/2" BSP Male
- Inlet pipe type / length: flexible stainless braided hose / 445 mm

### Care instructions summary:

- Clean the mixers and showers regularly as required, using soap, do not use any other cleaners.
- Regular cleaning will prevent the build-up of lime scale and dirt
- After cleaning rinse thoroughly with clean water to remove any cleaner residue
- Residues of sink & worktop cleaners can also cause damage, so rinse with clean water after using, avoid contact with any abrasives

### Warranty Summary (Full details available on request):

- Materials and workmanship defects warranted for 5 years
- Valves and working parts warranted for 5 years
- Surface warranty defects warranted for 1 year
- O-rings, hoses & gaskets warranted for 1 year