

Product Finish: Chrome

Product code: AT1224
EAN13 barcode: 5060048383942



Note: the image shown may not reflect the product finish, chrome finish is typically depicted.

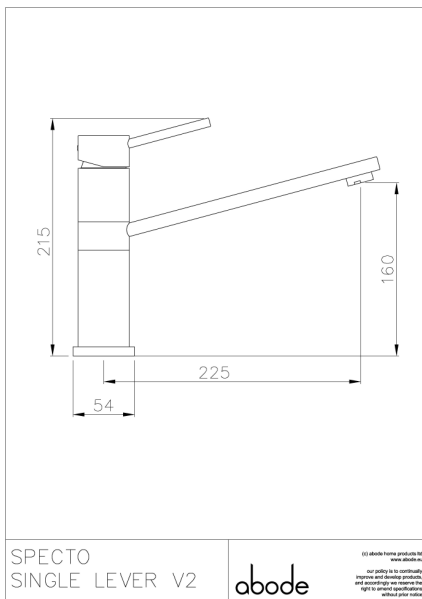
Product features:

- Metal construction throughout
- Subtle soft sweeping design form
- Single lever control for effortless single handed control
- Leading design performance requiring higher pressures
- Antisplash spout supplied as standard

Additional information / Parts included:

1 x fixing stud m8 x 120mm, 1 x worktop seal, 1 x rubber seal, 1 x metal horseshoe, 1 x fixing nut

Product dimensions:



- Overall Height / projection: 215 mm
- Exit reach: 225 mm
- Exit height: 160 mm
- Centre distance(s):

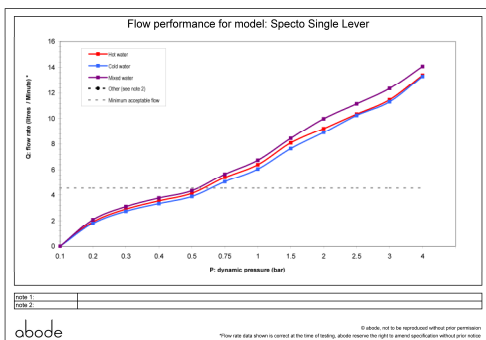
- Base diameter(s): 54 mm
- Recommended hole diameter: Ø 35 mm
- Max. surface depth: 40 mm

- Spout diameter: 35 x 12 mm
- Spout aerator size: 22m

Packaged properties:

- | | |
|-------------------------|----------------------|
| Box length: 420mm | Box depth: 75mm |
| Box width: 420mm | Units per outer: 5 |
| Tap only weight: 1.33kg | Boxed weight: 1.90kg |

Product flow characteristics:



- Min / Max water pressure: 0.60 / 5.5 bar
- Recommended / Max water temperature: 46°C / 70°C
- Part G - Mixed flow rate at 3 bar (litres / min): 12.35

- Control valve type: Single lever ceramic cartridge
- Product flow characteristics: Single flow
- Non return valve(s): Integral to hot & cold inlets

- Aerator type: Neoperl aerator honeycomb single flow
- Accepts revolve / spray areator: Yes
- Spout connection method: Grub screw

- Tail pipe inlet / outlet size: M10 / 1/2" Male
- Inlet pipe type / length: flexible stainless braided hose / 370 mm

Care instructions summary:

- Clean the mixers and showers regularly as required, using soap, do not use any other cleaners.
- Regular cleaning will prevent the build up of lime scale and dirt
- After cleaning rinse thoroughly with clean water to remove any cleaner residue
- Residues of sink & worktop cleaners can also cause damage, so rinse with clean water after using, avoid contact with any abrasives

Warranty Summary (Full details available on request):

- Materials and workmanship defects warranted for 5 years
- Valves and working parts warranted for 5 years
- Surface warranty defects warranted for 1 year
- O-rings, hoses & gaskets warranted for 1 year