

Product Finish: Brushed nickel

Product code: AT1217  
EAN13 barcode: 5060048383874



Note: the image shown may not reflect the product finish, chrome finish is typically depicted.

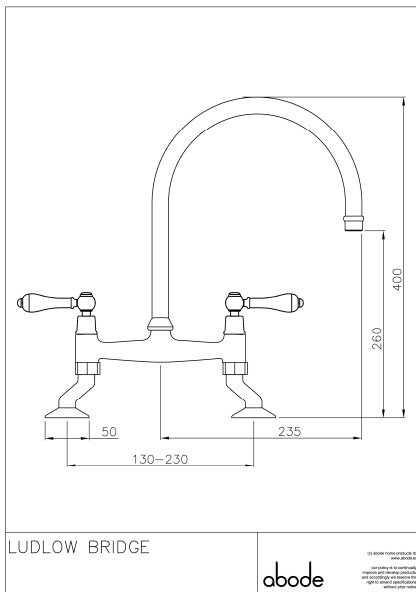
**Product features:**

- Metal & acrylic handle construction
- Supplied with adjustable centre inlets
- Fixing kit designed for thicker surface depths
- Quarter turn handle action for precise flow control
- Custom designed for lower to mid pressures

**Additional information / Parts included:**

130 - 230mm centres

**Product dimensions:**



- **Overall Height / projection:** 400 mm
- **Exit reach:** 235 mm
- **Exit height:** 260 mm
- **Centre distance(s):**

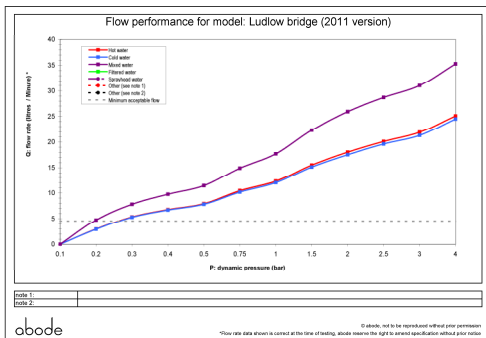
- **Base diameter(s):** 50 mm
- **Recommended hole diameter:** Ø 35 mm
- **Max. surface depth:** 80 mm

- **Spout diameter:** 20 mm
- **Spout aerator size:** 18f

**Packaged properties:**

- Box length:** 575mm
- Box depth:** 75mm
- Box width:** 355mm
- Units per outer:** 5
- Tap only weight:** 2.03kg
- Boxed weight:** 2.66kg

**Product flow characteristics:**



- **Min / Max water pressure:** 0.20 / 5.5 bar
- **Recommended / Max water temperature:** 46°C / 70°C
- **Part G - Mixed flow rate at 3 bar (litres / min):** 31.00

- **Control valve type:** Ceramic disc QT
- **Product flow characteristics:** Single flow
- **Non return valve(s):** Integral to hot & cold inlets

- **Aerator type:** Plastic mesh diffuser
- **Accepts revolve / spray areator:** No
- **Spout connection method:** Locking collar

- **Tail pipe inlet / outlet size:** / 1/2" BSP Male
- **Inlet pipe type / length:** fixed threaded inlets / 120 mm

**Care instructions summary:**

- Clean the mixers and showers regularly as required, using soap, do not use any other cleaners.
- Regular cleaning will prevent the build up of lime scale and dirt
- After cleaning rinse thoroughly with clean water to remove any cleaner residue
- Residues of sink & worktop cleaners can also cause damage, so rinse with clean water after using, avoid contact with any abrasives

**Warranty Summary (Full details available on request):**

- Materials and workmanship defects warranted for 5 years
- Valves and working parts warranted for 5 years
- Surface warranty defects warranted for 1 year
- O-rings, hoses & gaskets warranted for 1 year