

Product Finish: Brushed nickel

Product code: AT1213
EAN13 barcode: 5060048383805



Product features:

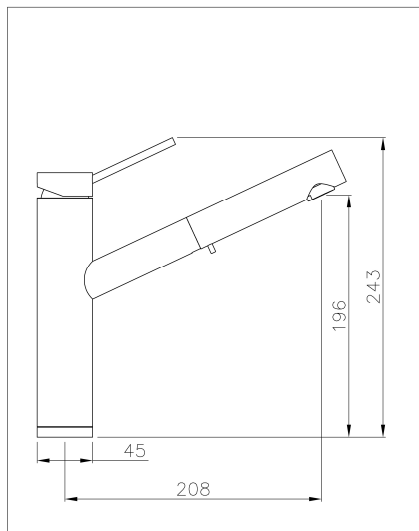
- Metal construction throughout
- Modern minimalism with flair
- Single lever control for effortless single handed control
- Multi spray pattern showerhead
- Supplied complete with flexible tail pipes for fast simple fitting

Additional information / Parts included:

The installation of this product should respect requirement IRN R090
Dual fixing studs & triangular stabiliser
180° Spout rotation

Note: the image shown may not reflect the product finish, chrome finish is typically depicted.

Product dimensions:



PLURO SINGLE LEVER PULL OUT SPRAY



© abode home products llc
www.abode.com
all rights reserved. no part of this publication may be reproduced, stored in a retrieval system, or transmitted in any form or by any means, electronic, mechanical, photocopying, recording, or by any information storage and retrieval system, without prior written permission.

- Overall Height / projection: 243 mm
- Exit reach: 208 mm
- Exit height: 196 mm
- Centre distance(s):

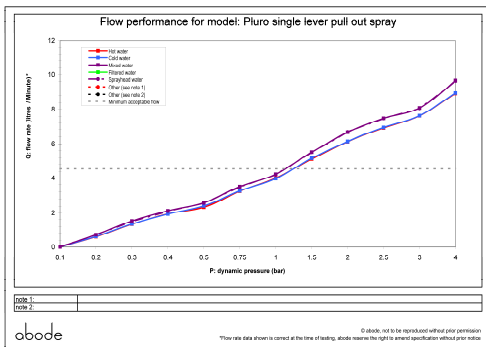
- Base diameter(s): 45 mm
- Recommended hole diameter: Ø 35 mm
- Max. surface depth: 100 mm

- Spout diameter: 28 mm
- Spout aerator size: 20f

Packaged properties:

- | | |
|-------------------------|----------------------|
| Box length: 430mm | Box depth: 70mm |
| Box width: 340mm | Units per outer: 5 |
| Tap only weight: 1.48kg | Boxed weight: 2.56kg |

Product flow characteristics:



- Min / Max water pressure: 1.50 / 5.5 bar
- Recommended / Max water temperature: 46°C / 70°C
- Part G - Mixed flow rate at 3 bar (litres / min): 08.08

- Control valve type: Single lever ceramic cartridge
- Product flow characteristics: Single flow
- Non return valve(s): Hot & cold (integral to tails) & sprayhead

- Aerator type: Plastic mesh diffuser
- Accepts revolve / spray areator: No
- Spout connection method: N/a

- Tail pipe inlet / outlet size: M10 / 1/2" BSP Male
- Inlet pipe type / length: flexible stainless braided hose / 270 mm

Care instructions summary:

- Clean the mixers and showers regularly as required, using soap, do not use any other cleaners.
- Regular cleaning will prevent the build-up of lime scale and dirt
- After cleaning rinse thoroughly with clean water to remove any cleaner residue
- Residues of sink & worktop cleaners can also cause damage, so rinse with clean water after using, avoid contact with any abrasives

Warranty Summary (Full details available on request):

- Materials and workmanship defects warranted for 5 years
- Valves and working parts warranted for 5 years
- Surface warranty defects warranted for 1 year
- O-rings, hoses & gaskets warranted for 1 year