

Product Finish: Chrome

Product code: AT1115  
EAN13 barcode: 5060048380965



**Product features:**

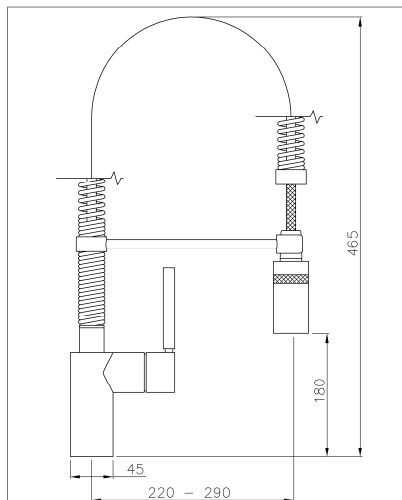
- Metal construction throughout
- Single lever control for effortless single handed control
- Solid and functional European architect design styling
- Polished stainless steel spring
- Extending spout end for ease of use (non spray)

**Additional information / Parts included:**

Dual fixing studs, includes load stabiliser & flow straightener & 2.5mm a/f Allen key

Note: the image shown may not reflect the product finish, chrome finish is typically depicted.

**Product dimensions:**



RATIO PRO SINGLE LEVER abode

- Overall Height / projection: 465 mm
- Exit reach: 220-290 mm
- Exit height: 180 mm
- Centre distance(s):

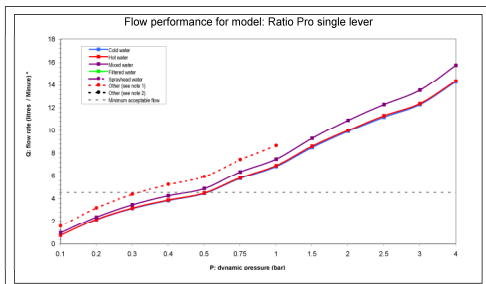
- Base diameter(s): 45 mm
- Recommended hole diameter: Ø 35 mm
- Max. surface depth: 40 mm

- Spout diameter: n/a mm
- Spout aerator size: 24f

**Packaged properties:**

- Box length: 430mm
- Box width: 340mm
- Box depth: 70mm
- Units per outer: 5
- Tap only weight: 2.78kg
- Boxed weight: 3.45kg

**Product flow characteristics:**



- Min / Max water pressure: 0.50 / 5.5 bar
- Recommended / Max water temperature: 46°C / 70°C
- Part G - Mixed flow rate at 3 bar (litres / min): 13.52

- Control valve type: Single lever ceramic cartridge
- Product flow characteristics: Single flow
- Non return valve(s): Hot & cold (integral to tails)

- Aerator type: Metal fine mesh diffuser
- Accepts revolve / spray areator: No
- Spout connection method: Grub screw

- Tail pipe inlet / outlet size: M10 / 1/2" BSP Male
- Inlet pipe type / length: flexible stainless braided hose / 270 mm

**Care instructions summary:**

- Clean the mixers and showers regularly as required, using soap, do not use any other cleaners.
- Regular cleaning will prevent the build up of lime scale and dirt
- After cleaning rinse thoroughly with clean water to remove any cleaner residue
- Residues of sink & worktop cleaners can also cause damage, so rinse with clean water after using, avoid contact with any abrasives

**Warranty Summary (Full details available on request):**

- Materials and workmanship defects warranted for 5 years
- Valves and working parts warranted for 5 years
- Surface warranty defects warranted for 1 year
- O-rings, hoses & gaskets warranted for 1 year