

Product Finish: Brushed nickel

Product code: AT1093  
EAN13 barcode: 5060048380828



**Product features:**

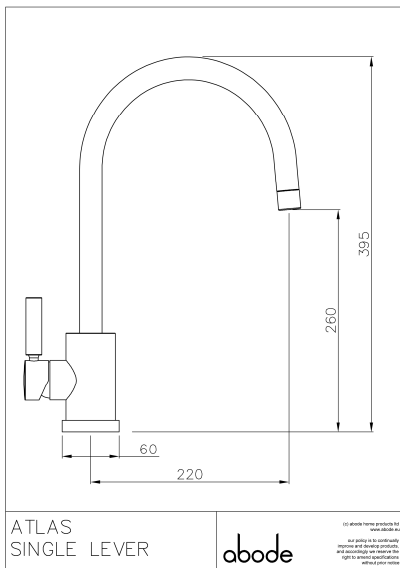
- Metal construction throughout
- Single lever control for effortless single handed control
- Leading design performance requiring higher pressures
- Solid and functional European architect design styling
- Antisplash spout supplied as standard

**Additional information / Parts included:**

2 & 2.5mm a/f Allen key included

Note: the image shown may not reflect the product finish, chrome finish is typically depicted.

**Product dimensions:**



- Overall Height / projection: 395 mm
- Exit reach: 220 mm
- Exit height: 260 mm
- Centre distance(s):

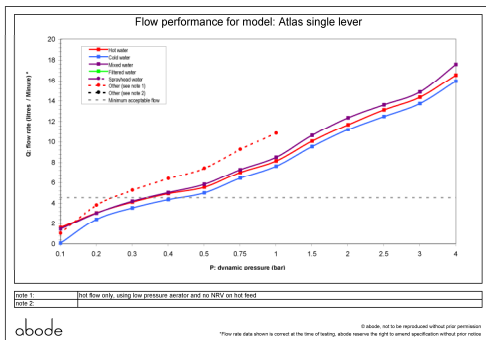
- Base diameter(s): 60 mm
- Recommended hole diameter: Ø 35 mm
- Max. surface depth: 55 mm

- Spout diameter: 24 mm
- Spout aerator size: 22f

**Packaged properties:**

Box length: 430mm	Box depth: 70mm
Box width: 340mm	Units per outer: 5
Tap only weight: 1.83kg	Boxed weight: 2.45kg

**Product flow characteristics:**



- Min / Max water pressure: 0.50 / 5.5 bar
- Recommended / Max water temperature: 46°C / 70°C
- Part G - Mixed flow rate at 3 bar (litres / min): 14.85

- Control valve type: Single lever ceramic cartridge
- Product flow characteristics: Single flow
- Non return valve(s): No, none supplied

- Aerator type: Plastic mesh diffuser
- Accepts revolve / spray areator: Yes
- Spout connection method: Grub screw

- Tail pipe inlet / outlet size: M12 / 15mm Ø
- Inlet pipe type / length: copper rigid tube / 245 mm

**Care instructions summary:**

- Clean the mixers and showers regularly as required, using soap, do not use any other cleaners.
- Regular cleaning will prevent the build up of lime scale and dirt
- After cleaning rinse thoroughly with clean water to remove any cleaner residue
- Residues of sink & worktop cleaners can also cause damage, so rinse with clean water after using, avoid contact with any abrasives

**Warranty Summary (Full details available on request):**

- Materials and workmanship defects warranted for 5 years
- Valves and working parts warranted for 5 years
- Surface warranty defects warranted for 1 year
- O-rings, hoses & gaskets warranted for 1 year