

Product Finish: Chrome

Product code: AT1085  
EAN13 barcode: 5060048381092



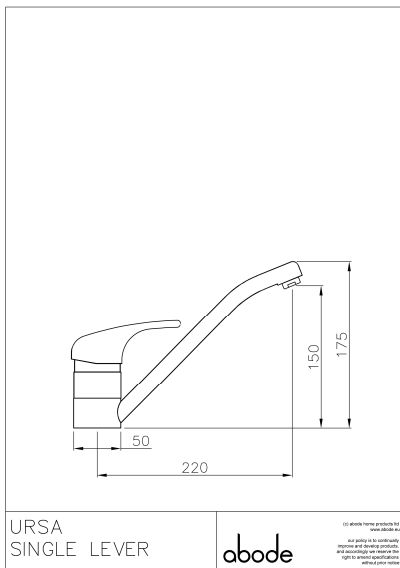
Note: the image shown may not reflect the product finish, chrome finish is typically depicted.

### Product features:

- Metal construction throughout
- A modern design classic style
- Single lever control for effortless single handed control
- Custom designed for lower to mid pressures
- Antisplash spout supplied as standard

### Additional information / Parts included:

### Product dimensions:



- Overall Height / projection: 175 mm
- Exit reach: 220 mm
- Exit height: 150 mm
- Centre distance(s):

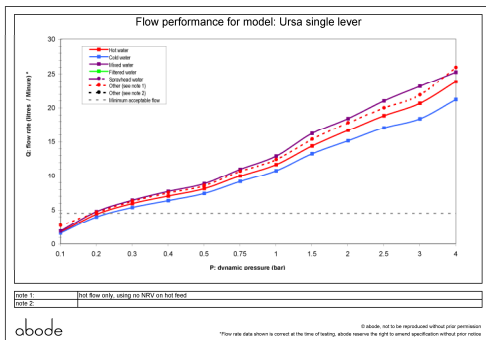
- Base diameter(s): 50 mm
- Recommended hole diameter: Ø 35 mm
- Max. surface depth: 40 mm

- Spout diameter: n/a mm
- Spout aerator size: 24m

### Packaged properties:

- |                         |                      |
|-------------------------|----------------------|
| Box length: 360mm       | Box depth: 70mm      |
| Box width: 180mm        | Units per outer: 10  |
| Tap only weight: 0.90kg | Boxed weight: 1.34kg |

### Product flow characteristics:



- Min / Max water pressure: 0.30 / 5.5 bar
- Recommended / Max water temperature: 46°C / 70°C
- Part G - Mixed flow rate at 3 bar (litres / min): 23.10

- Control valve type: Single lever ceramic cartridge
- Product flow characteristics: Single flow
- Non return valve(s): Hot & cold (integral to tails)

- Aerator type: Flow straightener
- Accepts revolve / spray areator: No
- Spout connection method: N/a

- Tail pipe inlet / outlet size: M12 / 1/2" BSP Male
- Inlet pipe type / length: flexible stainless braided hose / 270 mm

### Care instructions summary:

- Clean the mixers and showers regularly as required, using soap, do not use any other cleaners.
- Regular cleaning will prevent the build up of lime scale and dirt
- After cleaning rinse thoroughly with clean water to remove any cleaner residue
- Residues of sink & worktop cleaners can also cause damage, so rinse with clean water after using, avoid contact with any abrasives

### Warranty Summary (Full details available on request):

- Materials and workmanship defects warranted for 5 years
- Valves and working parts warranted for 5 years
- Surface warranty defects warranted for 1 year
- O-rings, hoses & gaskets warranted for 1 year