

Product Finish: Brushed nickel

Product code: AT1008
EAN13 barcode: 5060048380071



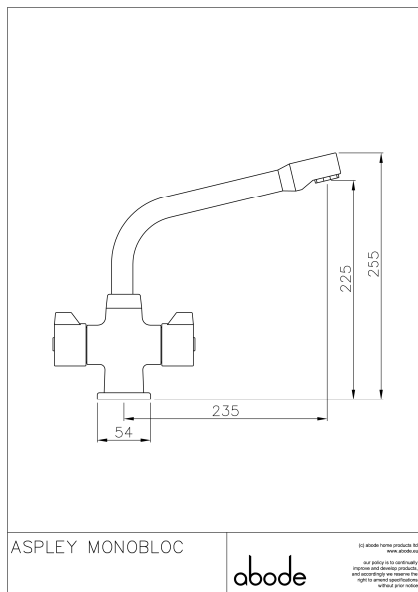
Product features:

- Metal & ABS construction
- Custom designed for lower to mid pressures
- A modern design classic style
- Supplied with copper tail pipes for maximum stability and flow
- Antisplash spout supplied as standard

Additional information / Parts included:

Note: the image shown may not reflect the product finish, chrome finish is typically depicted.

Product dimensions:



- Overall Height / projection: 255 mm
- Exit reach: 235 mm
- Exit height: 225 mm
- Centre distance(s):

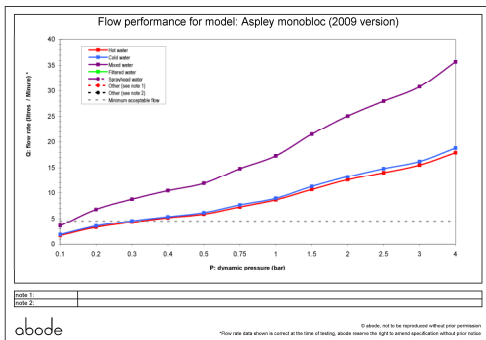
- Base diameter(s): 54 mm
- Recommended hole diameter: Ø 35 mm
- Max. surface depth: 40 mm

- Spout diameter: 22 mm
- Spout aerator size: 24m

Packaged properties:

- | | |
|-------------------------|----------------------|
| Box length: 420mm | Box depth: 75mm |
| Box width: 240mm | Units per outer: 10 |
| Tap only weight: 1.64kg | Boxed weight: 2.19kg |

Product flow characteristics:



- Min / Max water pressure: 0.20 / 5.5 bar
- Recommended / Max water temperature: 46°C / 70°C
- Part G - Mixed flow rate at 3 bar (litres / min): 30.80

- Control valve type: Ceramic disc QT
- Product flow characteristics: Dual flow
- Non return valve(s): No, none required

- Aerator type: Flow straightener
- Accepts revolve / spray areator: No
- Spout connection method: Locking collar

- Tail pipe inlet / outlet size: M12 / 15mm Ø
- Inlet pipe type / length: copper rigid tube / 245 mm

Care instructions summary:

- Clean the mixers and showers regularly as required, using soap, do not use any other cleaners.
- Regular cleaning will prevent the build up of lime scale and dirt
- After cleaning rinse thoroughly with clean water to remove any cleaner residue
- Residues of sink & worktop cleaners can also cause damage, so rinse with clean water after using, avoid contact with any abrasives

Warranty Summary (Full details available on request):

- Materials and workmanship defects warranted for 5 years
- Valves and working parts warranted for 5 years
- Surface warranty defects warranted for 1 year
- O-rings, hoses & gaskets warranted for 1 year