



Product features:

- Luscious European quality chromium plate finish
- Custom designed for lower range pressures
- Traditional European styling
- Durable compression valve design
- Metal construction throughout

Packaged properties:

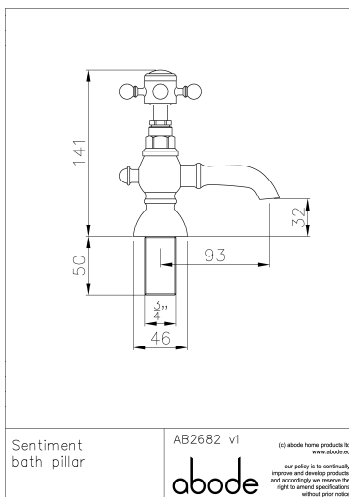
Box length (mm): 210 Box depth(mm): 120
Box width(mm): 160 Boxed weight (Kg): 1.3

Includes pop up waste?: No

Additional comments:

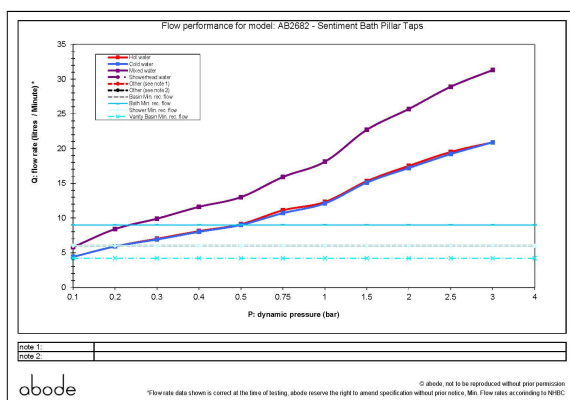
Ceramic indicies

Product dimensions:



- **Product mounted where:** Surface
- **Recommended hole size:** 30-35 mm
- **Overall Height / projection:** 141 mm
- **Exit reach:** 93 mm
- **Exit height:** 32 mm
- **Base size:** 46 mm
- **Inlet centre distance(s):** N/A mm
- **Min. fitting depth required:** N/A mm
- **Max. surface depth:** 25 mm

Product flow characteristics:



- **Min / Max water pressure (bar):** 0.10* / 5.00
- **Part G max. mixed flow rate at 3 bar (l/m):** 38
- **Inlet connection type / length:** Fixed / 50 mm
- **Inlet (plumbing connection) / outlet size:** 3/4" M /
- **Product flow characteristics:** Single flow
- **Non return valve(s) supplied or position:** no
- **Aerator type:** None
- **Control valve type:** 1/2" compression (7.5 x 20)
- **Includes output diverter?:**
- **Inlet meshed particle filters included:**
- **Shower hose type / length:**

Warranty Summary (full details available on request):

- Materials and workmanship defects warranted for 5 years
- Valves and working parts warranted for 5 years
- Surface warranty defects warranted for 1 year
- O-rings, hoses & gaskets warranted for 1 year

Care instructions:

- Clean the mixers and showers regularly as required, using soap, do not use any other cleaners.
- Regular cleaning will prevent the build up of lime scale and dirt
- After cleaning rinse thoroughly with clean water to remove any cleaner residue
- Residues of liquid soaps, shampoos and shower foams can also cause damage, so rinse with clean water after using, avoid contact with any abrasives