



Product features:

- Metal construction throughout
- Stylish Matt Black finish
- Single lever control for effortless single handed control
- Supplied complete with flexible tail pipes for fast simple fitting
- A modern design classic style

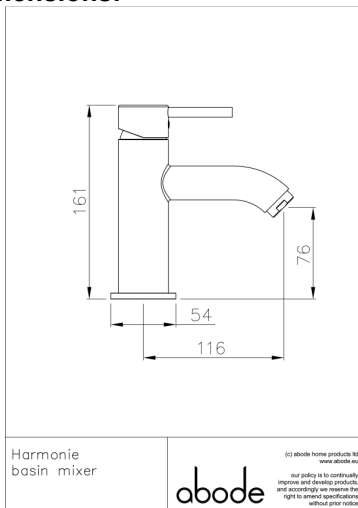
Packaged properties:

Box length (mm): 205 Box depth(mm): 110
Box width(mm): 190 Boxed weight (Kg): 1.4

Includes pop up waste?: N/A

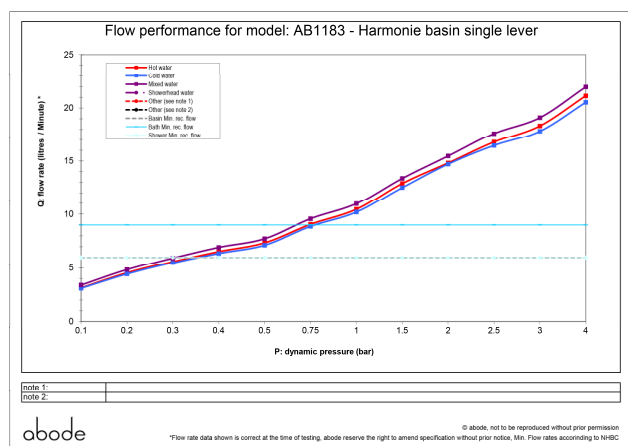
Additional comments:

Product dimensions:



- Product mounted where: Surface
- Recommended hole size: 35 mm
- Overall Height / projection: 161 mm
- Exit reach: 116 mm
- Exit height: 76 mm
- Base size: 54 mm
- Inlet centre distance(s): N/A mm
- Min. fitting depth required: N/A mm45 mm
- Max. surface depth: n/a

Product flow characteristics:



- Min / Max water pressure (bar): 0.30* / 5.00
- Part G max. mixed flow rate at 3 bar (l/m): 19.09
- Inlet connection type / length: Flexible / 420 mm
- Inlet (plumbing connection) / outlet size: 1/2" Male / M10
- Product flow characteristics: Single Flow
Non return valve(s) supplied or position: No
- Aerator type: Neostrahl Cache straightener
- Control valve type: Single lever (35mm)
- Includes output diverter?: N/A
- Inlet meshed particle filters included: N/A
- Shower hose type / length: N/A / N/A

Warranty Summary (full details available on request):

- Materials and workmanship defects warranted for 5 years
- Valves and working parts warranted for 5 years
- Surface warranty defects warranted for 1 year
- O-rings, hoses & gaskets warranted for 1 year

Care instructions:

- Clean the mixers and showers regularly as required, using soap, do not use any other cleaners.
- Regular cleaning will prevent the build-up of lime scale and dirt
- After cleaning rinse thoroughly with clean water to remove any cleaner residue
- Residues of liquid soaps, shampoos and shower foams can also cause damage, so rinse with clean water after using, avoid contact with any abrasives