

Product features:

- Metal & ABS construction
- Multi spray pattern showerhead
- 5 year limited warranty
- A modern design classic style
- Luscious European quality chromium plate finish

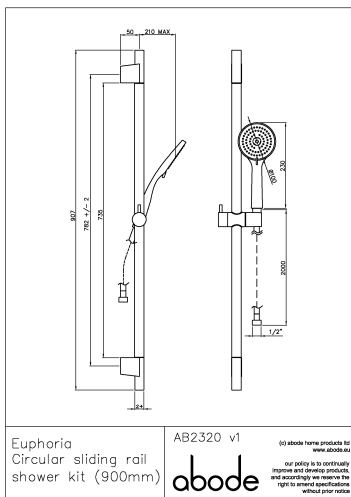
Packaged properties:

Box length (mm): 800 Box depth(mm): 80
 Box width(mm): 220 Boxed weight (Kg): 0.9

Includes pop up waste?: N/A

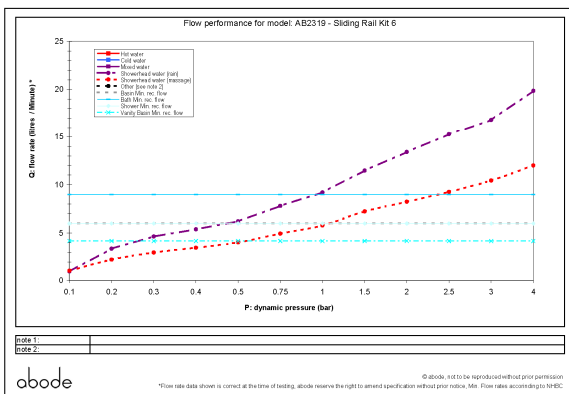
Additional comments:

Product dimensions:



- **Product mounted where:** Wall
- **Recommended hole size:** n/a mm
- **Overall Height / projection:** 907 mm
- **Exit reach:** 210 mm
- **Exit height:** adjustable mm
- **Base size:** 44 x 28 mm
- **Inlet centre distance(s):** 782 +/- 2 mm
- **Min. fitting depth required:** 35 mm
- **Max. surface depth:** N/A mm

Product flow characteristics:



- **Min / Max water pressure (bar):** 0.50* / 5.50
- **Part G max. mixed flow rate at 3 bar (l/m):** 16.81
- **Inlet connection type / length:** N/a / n/a mm
- **Inlet (plumbing connection) / outlet size:** 1/2" F / 1/2" F
- **Product flow characteristics:** N/A
- **Non return valve(s) supplied or position:** no
- **Aerator type:** Dark grey silicone rub clean nozzles
- **Control valve type:** N/A (N/A)
- **Includes output diverter?:** No
- **Inlet meshed particle filters included:** n/a
- **Shower hose type / length:** Smoothflex / 2.00 m

Warranty Summary (full details available on request):

- Materials and workmanship defects warranted for 5 years
- Valves and working parts warranted for 5 years
- Surface warranty defects warranted for 1 year
- O-rings, hoses & gaskets warranted for 1 year

Care instructions:

- Clean the mixers and showers regularly as required, using soap, do not use any other cleaners.
- Regular cleaning will prevent the build up of lime scale and dirt
- After cleaning rinse thoroughly with clean water to remove any cleaner residue
- Residues of liquid soaps, shampoos and shower foams can also cause damage, so rinse with clean water after using, avoid contact with any abrasives