



Product features:

- Metal construction throughout
- A modern design classic style
- Single lever control for effortless single handed control
- Fixed spout to prevent accidental water damage
- Luscious European quality chromium plate finish

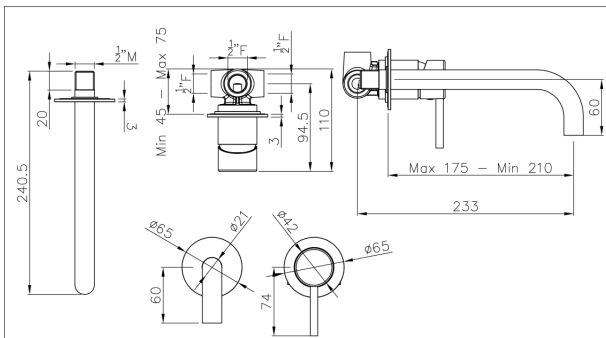
Packaged properties:

Box length (mm): 390 **Box depth(mm):** 100
Box width(mm): 140 **Boxed weight (Kg):** 1.48

Includes pop up waste?: No

Additional comments:

Product dimensions:



Harmonie
Wall Mounted 2 Part
Basin & Bath Mixer

AB1201 v1

(c) abode home products ltd
www.abode.eu

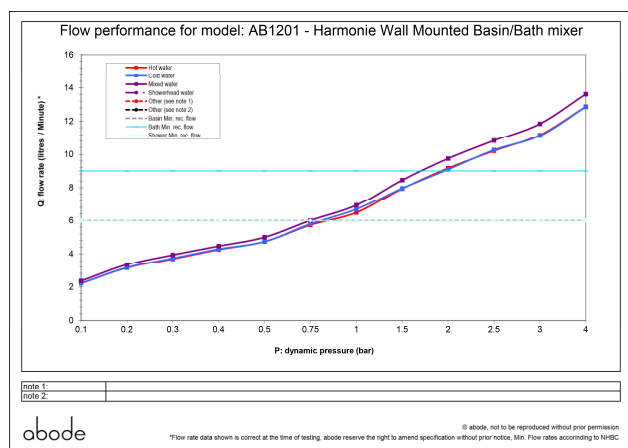


our policy is to continually improve and develop products, and accordingly we reserve the right to amend specifications without prior notice

- **Product mounted where:** Wall
- **Recommended hole size:**
- **Overall Height / projection:** 240.5 mm
- **Exit reach:** 175 - 210 mm
- **Exit height:** 60 mm
- **Base size:** 65 mm
- **Inlet centre distance(s):** NA mm

- **Min. fitting depth required:** 45 - 75 mm / N/A mm
- **Max. surface depth:**

Product flow characteristics:



- **Min / Max water pressure (bar):** 0.75* / 5.00
- **Part G max. mixed flow rate at 3 bar (l/m):** 11.85
- **Inlet connection type / length:** Fixed / N/A mm
- **Inlet (plumbing connection) / outlet size:** 1/2" F / 1/2" F
- **Product flow characteristics:** Single Flow
- **Non return valve(s) supplied or position:** N/A
- **Aerator type:** Cache TT
- **Control valve type:** Single lever (35mm)
- **Includes output diverter?:** N/A
- **Inlet meshed particle filters included:**
- **Shower hose type / length:** N/A / N/A

Warranty Summary (full details available on request):

- Materials and workmanship defects warranted for 5 years
- Valves and working parts warranted for 5 years
- Surface warranty defects warranted for 1 year
- O-rings, hoses & gaskets warranted for 1 year

Care instructions:

- Clean the mixers and showers regularly as required, using soap, do not use any other cleaners.
- Regular cleaning will prevent the build-up of lime scale and dirt
- After cleaning rinse thoroughly with clean water to remove any cleaner residue
- Residues of liquid soaps, shampoos and shower foams can also cause damage, so rinse with clean water after using, avoid contact with any abrasives