

Product features:

- Metal construction throughout
- Modern minimalism with flair
- Wall hanging bracket for easier installation
- Single lever control for effortless single handed control
- Leading design features requiring high pressure

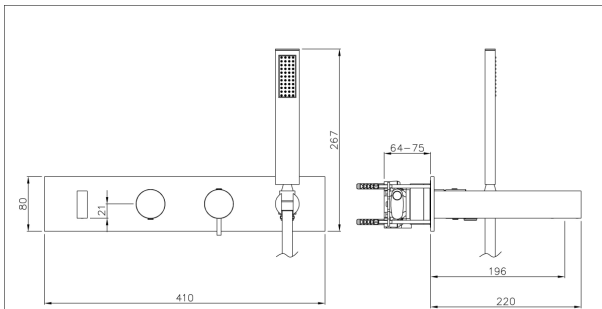
Packaged properties:

Box length (mm): 500 Box depth(mm): 130
Box width(mm): 300 Boxed weight (Kg): 7.0

Includes pop up waste?: No

Additional comments:
Metal showerhead

Product dimensions:



Cyclo
Bath Shower Mixer
Wall Mounted

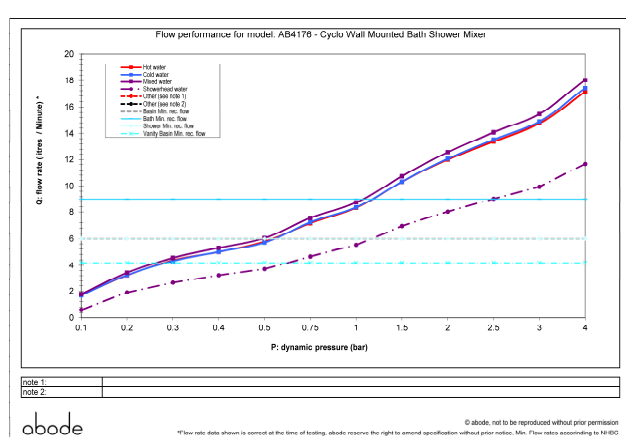
AB4176 v2
abode

(c) abode home products ltd
www.abode.eu
our policy is to continually improve and develop products, and accordingly we reserve the right to amend specifications without prior notice.

- **Product mounted where:** Wall
- **Recommended hole size:** 390x60 mm
- **Overall Height / projection:** 220 mm
- **Exit reach:** 196 mm
- **Exit height:** 21 mm
- **Base size:** 228 mm
- **Inlet centre distance(s):** N/A mm

- **Min. fitting depth required:** 64-75 mm
- **Max. surface depth:** N/A mm

Product flow characteristics:



• **Min / Max water pressure (bar):** 1.50* / 5.50
*Detailed minimum pressure requirements for this product: Bath 1.5, Shower 1.5 (bar)

• **Part G max. mixed flow rate at 3 bar (l/m):** 15.47

• **Inlet connection type / length:** Fixed / N/A mm
• **Inlet (plumbing connection) / outlet size:** 1/2" F / 1/2" F

• **Product flow characteristics:** Single flow
Non return valve(s) supplied or position: N/A

• **Aerator type:** Rectangular Neoperl antispash (high flow)

• **Control valve type:** Single lever (35mm)
• **Includes output diverter?:** Yes

• **Inlet meshed particle filters included:** N/A
• **Shower hose type / length:** Smoothflex / 1.50 m

Warranty Summary (full details available on request):

- Materials and workmanship defects warranted for 5 years
- Valves and working parts warranted for 5 years
- Surface warranty defects warranted for 1 year
- O-rings, hoses & gaskets warranted for 1 year

Care instructions:

- Clean the mixers and showers regularly as required, using soap, do not use any other cleaners.
- Regular cleaning will prevent the build up of lime scale and dirt
- After cleaning rinse thoroughly with clean water to remove any cleaner residue
- Residues of liquid soaps, shampoos and shower foams can also cause damage, so rinse with clean water after using, avoid contact with any abrasives