

**Product features:**

- Metal construction throughout
- Single lever control for effortless single handed control
- Minimalist planate design form
- Antisplash spout supplied as standard

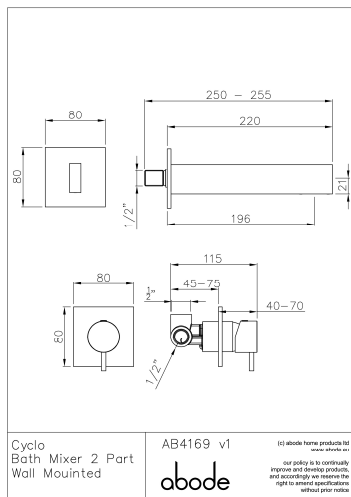
**Packaged properties:**

Box length (mm): 440      Box depth(mm): 90  
Box width(mm): 260      Boxed weight (Kg): 3.5

Includes pop up waste?: N/A

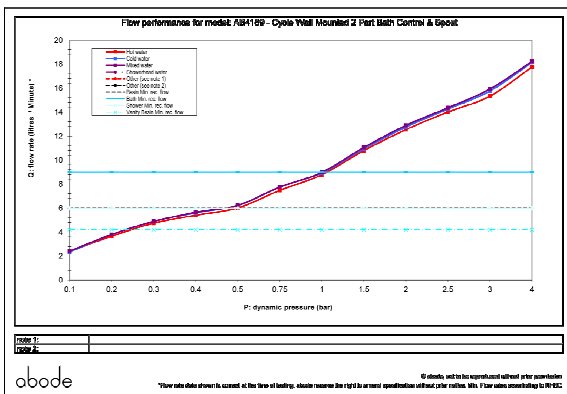
Additional comments:

**Product dimensions:**



- Product mounted where: Wall
- Recommended hole size: 60x60 mm
- Overall Height / projection: 220 mm
- Exit reach: 196 mm
- Exit height: 21 mm
- Base size: 80x80 mm
- Inlet centre distance(s): N/A mm
- Min. fitting depth required: 45-75 mm
- Max. surface depth: N/A mm

**Product flow characteristics:**



- Min / Max water pressure (bar): 1.00\* / 5.50
- Part G max. mixed flow rate at 3 bar (l/m): 15.93
- Inlet connection type / length: Fixed / N/A mm
- Inlet (plumbing connection) / outlet size: 1/2" F / 1/2" F
- Product flow characteristics: Single flow
- Non return valve(s) supplied or position: No
- Aerator type: Rectangular Neoperl antisplash (high flow)
- Control valve type: Single lever (35mm)
- Includes output diverter?: No
- Inlet meshed particle filters included: No
- Shower hose type / length: N/A / N/A

**Warranty Summary** (full details available on request):

- Materials and workmanship defects warranted for 5 years
- Valves and working parts warranted for 5 years
- Surface warranty defects warranted for 1 year
- O-rings, hoses & gaskets warranted for 1 year

**Care instructions:**

- Clean the mixers and showers regularly as required, using soap, do not use any other cleaners.
- Regular cleaning will prevent the build up of lime scale and dirt
- After cleaning rinse thoroughly with clean water to remove any cleaner residue
- Residues of liquid soaps, shampoos and shower foams can also cause damage, so rinse with clean water after using, avoid contact with any abrasives