



**Product features:**

- Metal construction throughout
- Single lever control for effortless single handed control
- Elegant minimalist design styling with a softened edge
- Antisplash spout supplied as standard

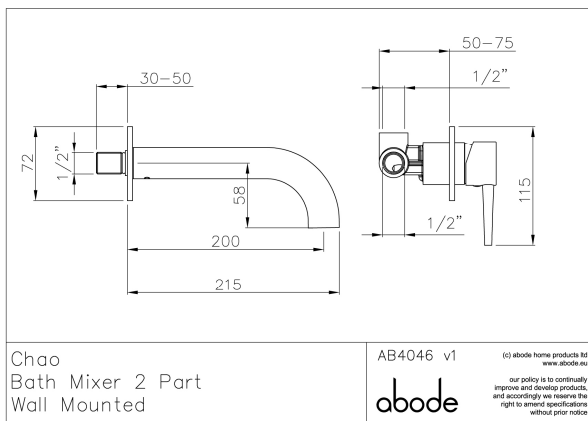
**Packaged properties:**

Box length (mm): 440      Box depth(mm): 90  
Box width(mm): 260      Boxed weight (Kg): 3.5

Includes pop up waste?: N/A

Additional comments:

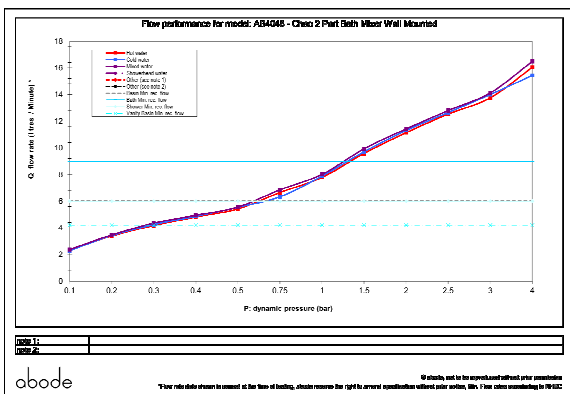
**Product dimensions:**



- Product mounted where: Wall
- Recommended hole size: 52x52 mm
- Overall Height / projection: 215 mm
- Exit reach: 200 mm
- Exit height: 58 mm
- Base size: 72 mm
- Inlet centre distance(s): N/A mm

- Min. fitting depth required: 50-75 mm
- Max. surface depth: N/A mm

**Product flow characteristics:**



- Min / Max water pressure (bar): 1.50\* / 5.50
- Part G max. mixed flow rate at 3 bar (l/m): 14.12
- Inlet connection type / length: Fixed / N/A mm
- Inlet (plumbing connection) / outlet size: 1/2" F / 1/2" F
- Product flow characteristics: Single flow
- Non return valve(s) supplied or position: N/A
- Aerator type: Neoperl honeycomb, cache (grey)
- Control valve type: Single lever (35mm)
- Includes output diverter?: No
- Inlet meshed particle filters included: N/A
- Shower hose type / length: N/A / N/A

**Warranty Summary** (full details available on request):

- Materials and workmanship defects warranted for 5 years
- Valves and working parts warranted for 5 years
- Surface warranty defects warranted for 1 year
- O-rings, hoses & gaskets warranted for 1 year

**Care instructions:**

- Clean the mixers and showers regularly as required, using soap, do not use any other cleaners.
- Regular cleaning will prevent the build up of lime scale and dirt
- After cleaning rinse thoroughly with clean water to remove any cleaner residue
- Residues of liquid soaps, shampoos and shower foams can also cause damage, so rinse with clean water after using, avoid contact with any abrasives