

Product features:

- Metal & ABS construction
- 5 year limited warranty
- A modern design classic style

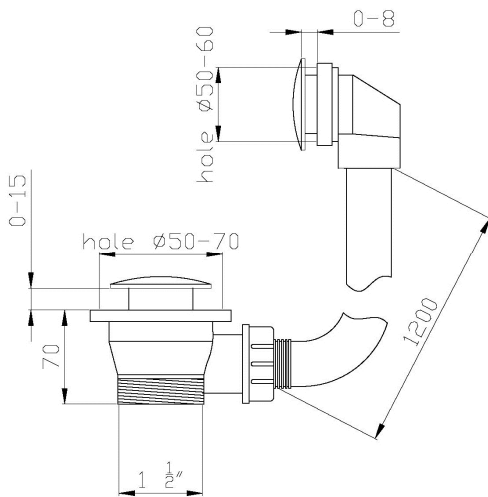
Packaged properties:

Box length (mm): 500 Box depth(mm): 80
 Box width(mm): 210 Boxed weight (Kg): 0.8

Includes pop up waste?: No

Additional comments:

Product dimensions:



- **Product mounted where:** Surface
- **Recommended hole size:** 50-70 mm
- **Overall Height / projection:** 70 mm
- **Exit reach:** N/A mm
- **Exit height:** N/A mm
- **Base size:** N/A mm
- **Inlet centre distance(s):** N/A mm
- **Min. fitting depth required:** N/A mm
- **Max. surface depth:** 15 & 8 mm

Product flow characteristics:

FLOW GRAPH NOT APPLICABLE

- **Min / Max water pressure (bar):** N/A* / N/A
N/A
- **Part G max. mixed flow rate at 3 bar (l/m):** N/A
- **Inlet connection type / length:** N/A / N/A mm
- **Inlet (plumbing connection) / outlet size:** N/A / 1 1/2" M
- **Product flow characteristics:**
Non return valve(s) supplied or position:
- **Aerator type:** N/A
- **Control valve type:** N/A (N/A)
- **Includes output diverter?:** N/A
- **Inlet meshed particle filters included:**
- **Shower hose type / length:** N/A / N/A

Warranty Summary (full details available on request):

- Materials and workmanship defects warranted for 5 years
- Valves and working parts warranted for 5 years
- Surface warranty defects warranted for 1 year
- O-rings, hoses & gaskets warranted for 1 year

Care instructions:

- Clean the mixers and showers regularly as required, using soap, do not use any other cleaners.
- Regular cleaning will prevent the build up of lime scale and dirt
- After cleaning rinse thoroughly with clean water to remove any cleaner residue
- Residues of liquid soaps, shampoos and shower foams can also cause damage, so rinse with clean water after using, avoid contact with any abrasives