



Product features:

- Swivel showerhead connector for maximum flexibility
- Rub clean anti limescale spray nozzles
- Single spray pattern showerhead
- Elegant minimalist design styling with a softened edge

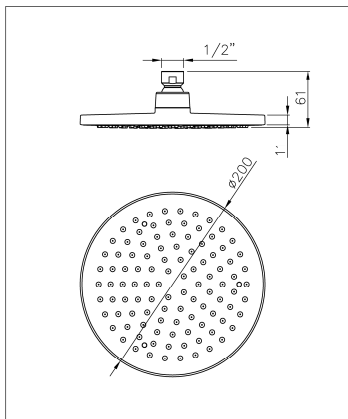
Packaged properties:

Box length: 220 mm **Box depth:** 65 mm
Box width: 210 mm **Boxed weight:** 0.54 kg

Includes pop up waste?: No

Additional comments:

Product dimensions:



Euphoria
ABS 200mm dia.
circular
showerhead

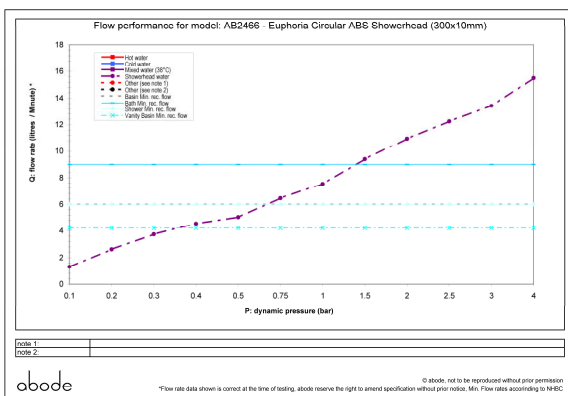
AB2466 v1



(c) abode home products ltd
www.abode.co.uk
our policy is to continually
improve and develop products,
and accordingly we reserve the
right to amend specifications
without prior notice.

- **Overall Height / projection:** 61 mm
- **Exit reach:** n/a mm
- **Exit height:** 61 mm
- **Centre distance(s):** N/A mm
- **Base diameter(s):** n/a mm
- **Product mounted where:** Roof / wall
- **Recommended hole diameter:** N/A mm
- **Min. fitting depth required:** n/a mm
- **Max. surface depth:** n/a mm

Product flow characteristics:



- **Min / Max water pressure:** 0.75 / 5.5 bar
- **Part G mixed flow rate at 3 bar (l/m):** 13.42
- **Max water temperature:** 70° C
- **Product flow characteristics:** N/A
- **Aerator type:** Clear silicone rub clean nozzles
- **Includes output diverter?:** N/A
- **Control valve type:** N/A (N/A)
- **Non return valve position:** No
- **Mesh particle filter size:** 0.60 mm
- **Inlet / outlet size:** 1/2" F / M30 X 1.5
- **Inlet type / length:** Fixed / N/A mm
- **Shower hose type / length:** N/A / N/A

Warranty Summary (Full details available on request):

- Materials and workmanship defects warranted for 5 years
- Valves and working parts warranted for 5 years
- Surface warranty defects warranted for 1 year
- O-rings, hoses & gaskets warranted for 1 year

Care instructions:

- Clean the mixers and showers regularly as required, using soap, do not use any other cleaners.
- Regular cleaning will prevent the build up of lime scale and dirt
- After cleaning rinse thoroughly with clean water to remove any cleaner residue
- Residues of liquid soaps, shampoos and shower foams can also cause damage, so rinse with clean water after using, avoid contact with any abrasives