

Product features:

- Metal & ABS construction
- Minimalist planate design form
- 5 year limited warranty
- Luscious European quality chromium plate finish

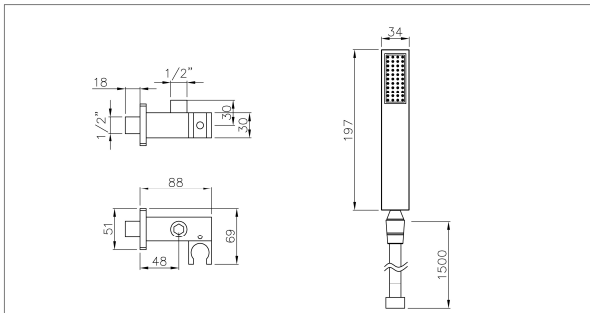
Packaged properties:

Box length (mm): 255 Box depth(mm): 155
Box width(mm): 155 Boxed weight (Kg): 1.3

Includes pop up waste?: No

Additional comments:

Product dimensions:



Euphoria
square combined wall outlet,
bracket and handshower

AB2453 v2

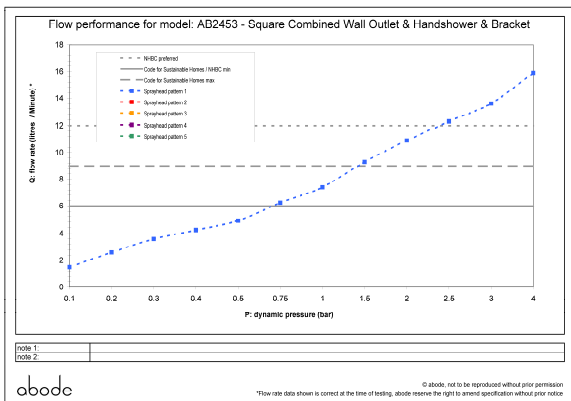


(c) abode home products ltd
www.abode.eu
our policy is to continually
improve and develop products,
and accordingly we reserve the
right to amend specifications
without prior notice

- Product mounted where: Wall
- Recommended hole size: N/A mm
- Overall Height / projection: 197 mm
- Exit reach: 48 mm
- Exit height: 30 mm
- Base size: 51 mm
- Inlet centre distance(s): N/A mm

- Min. fitting depth required: N/A mm
- Max. surface depth: N/A mm

Product flow characteristics:



- Min / Max water pressure (bar): 0.75* / 5.00
- Part G max. mixed flow rate at 3 bar (l/m): 13.6
- Inlet connection type / length: Fixed / TBC mm
- Inlet (plumbing connection) / outlet size: 1/2" M / 1/2" M
- Product flow characteristics: N/A
- Non return valve(s) supplied or position: No
- Aerator type: N/A
- Control valve type: N/A (N/A)
- Includes output diverter?: No
- Inlet meshed particle filters included: N/A
- Shower hose type / length: Smoothflex / 1.50 m

Warranty Summary (full details available on request):

- Materials and workmanship defects warranted for 5 years
- Valves and working parts warranted for 5 years
- Surface warranty defects warranted for 1 year
- O-rings, hoses & gaskets warranted for 1 year

Care instructions:

- Clean the mixers and showers regularly as required, using soap, do not use any other cleaners.
- Regular cleaning will prevent the build up of lime scale and dirt
- After cleaning rinse thoroughly with clean water to remove any cleaner residue
- Residues of liquid soaps, shampoos and shower foams can also cause damage, so rinse with clean water after using, avoid contact with any abrasives