

Product features:

- Metal & ABS construction
- Modern minimalism with flair
- 5 year limited warranty
- Luscious European quality chromium plate finish

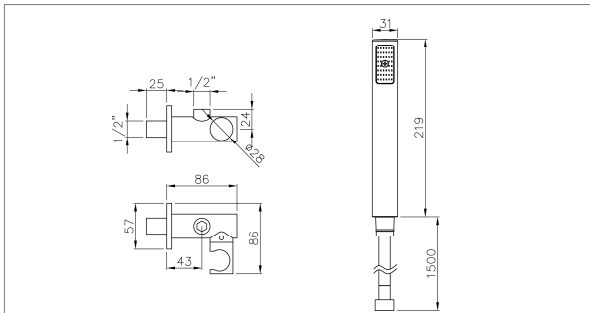
Packaged properties:

Box length (mm): 255 Box depth(mm): 155
 Box width(mm): 155 Boxed weight (Kg): 1.0

Includes pop up waste?: No

Additional comments:

Product dimensions:



Euphoria
 circular combined wall outlet,
 bracket and handshower

AB2452 v2



(c) abode home products ltd
 www.abode.eu
 our policy is to continually
 improve and develop products,
 and accordingly we reserve the
 right to amend specifications
 without prior notice

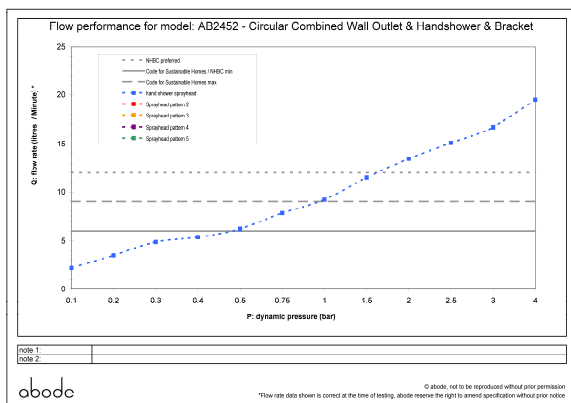
• **Product mounted where:** Wall
 • **Recommended hole size:** N/A mm

• **Overall Height / projection:** 219 mm
 • **Exit reach:** 43 mm
 • **Exit height:** 24 mm
 • **Base size:** 57 mm

• **Inlet centre distance(s):** N/A mm

• **Min. fitting depth required:** 60 mm
 • **Max. surface depth:** N/A mm

Product flow characteristics:



- **Min / Max water pressure (bar):** 0.50* / 5.00
- **Part G max. mixed flow rate at 3 bar (l/m):** 16.7
- **Inlet connection type / length:** Fixed / 1.5 m
- **Inlet (plumbing connection) / outlet size:** 1/2" M / 1/2" M
- **Product flow characteristics:** N/A
- **Non return valve(s) supplied or position:** No
- **Aerator type:** N/A
- **Control valve type:** N/A (N/A)
- **Includes output diverter?:** No
- **Inlet meshed particle filters included:** N/A
- **Shower hose type / length:** Smoothflex / 1.50 m

Warranty Summary (full details available on request):

- Materials and workmanship defects warranted for 5 years
- Valves and working parts warranted for 5 years
- Surface warranty defects warranted for 1 year
- O-rings, hoses & gaskets warranted for 1 year

Care instructions:

- Clean the mixers and showers regularly as required, using soap, do not use any other cleaners.
- Regular cleaning will prevent the build up of lime scale and dirt
- After cleaning rinse thoroughly with clean water to remove any cleaner residue
- Residues of liquid soaps, shampoos and shower foams can also cause damage, so rinse with clean water after using, avoid contact with any abrasives