



**Product features:**

- Metal construction throughout
- Minimalist planate design form
- 5 year limited warranty
- Luscious European quality chromium plate finish

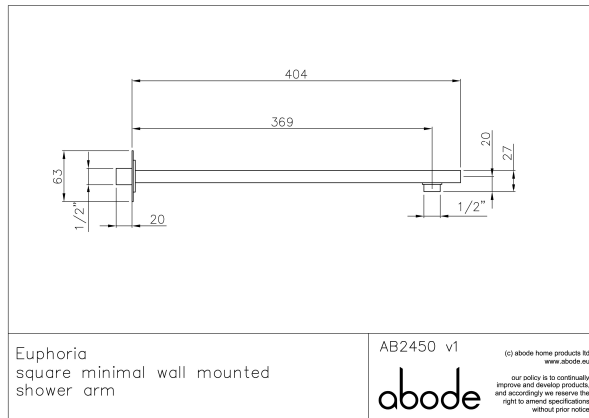
**Packaged properties:**

Box length (mm): 445      Box depth(mm): 45  
Box width(mm): 70      Boxed weight (Kg): 0.5

Includes pop up waste?: No

Additional comments:

**Product dimensions:**



- Product mounted where: Wall
- Recommended hole size: N/A mm
- Overall Height / projection: 404 mm
- Exit reach: 369 mm
- Exit height: 20 mm
- Base size: 63 mm
- Inlet centre distance(s): N/A mm
- Min. fitting depth required: 60 mm
- Max. surface depth: N/A mm

**Product flow characteristics:**

FLOW GRAPH NOT APPLICABLE

- Min / Max water pressure (bar): N/A\* / 5.00
- Part G max. mixed flow rate at 3 bar (l/m): N/A
- Inlet connection type / length: Fixed / TBC mm
- Inlet (plumbing connection) / outlet size: 1/2" M / 1/2" M
- Product flow characteristics: N/A
- Non return valve(s) supplied or position: No
- Aerator type: N/A
- Control valve type: N/A (N/A)
- Includes output diverter?: N/A
- Inlet meshed particle filters included: N/A
- Shower hose type / length: N/A / N/A

**Warranty Summary** (full details available on request):

- Materials and workmanship defects warranted for 5 years
- Valves and working parts warranted for 5 years
- Surface warranty defects warranted for 1 year
- O-rings, hoses & gaskets warranted for 1 year

**Care instructions:**

- Clean the mixers and showers regularly as required, using soap, do not use any other cleaners.
- Regular cleaning will prevent the build up of lime scale and dirt
- After cleaning rinse thoroughly with clean water to remove any cleaner residue
- Residues of liquid soaps, shampoos and shower foams can also cause damage, so rinse with clean water after using, avoid contact with any abrasives