



Product features:

- Metal construction throughout
- Minimalist planate design form
- 5 year limited warranty
- Luscious European quality chromium plate finish

Packaged properties:

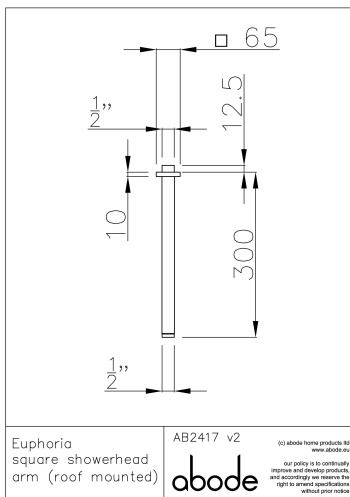
Box length (mm): 520 Box depth(mm): 30
Box width(mm): 100 Boxed weight (Kg): 0.4

Includes pop up waste?: No

Additional comments:

Base plinth slides over arm for adjustment

Product dimensions:



- **Product mounted where:** Roof
- **Recommended hole size:** 300 mm
- **Overall Height / projection:** 300 mm
- **Exit reach:** □ 65 mm
- **Exit height:**
- **Base size:**
- **Inlet centre distance(s):**
- **Min. fitting depth required:**
- **Max. surface depth:**

Product flow characteristics:

FLOW GRAPH NOT APPLICABLE

- **Min / Max water pressure (bar):** * / 5.00
- **Part G max. mixed flow rate at 3 bar (l/m):** N/A
- **Inlet connection type / length:** Fixed / mm
- **Inlet (plumbing connection) / outlet size:** 1/2" F / 1/2" M
- **Product flow characteristics:**
- **Non return valve(s) supplied or position:**
- **Aerator type:**
- **Control valve type:** ()
- **Includes output diverter?:** No
- **Inlet meshed particle filters included:**
- **Shower hose type / length:**

Warranty Summary (full details available on request):

- Materials and workmanship defects warranted for 5 years
- Valves and working parts warranted for 5 years
- Surface warranty defects warranted for 1 year
- O-rings, hoses & gaskets warranted for 1 year

Care instructions:

- Clean the mixers and showers regularly as required, using soap, do not use any other cleaners.
- Regular cleaning will prevent the build up of lime scale and dirt
- After cleaning rinse thoroughly with clean water to remove any cleaner residue
- Residues of liquid soaps, shampoos and shower foams can also cause damage, so rinse with clean water after using, avoid contact with any abrasives