



**Product features:**

- Metal & ABS construction
- Rub clean anti limescale spray nozzles
- Multi spray pattern showerhead
- Swivel showerhead connector for maximum flexibility
- The perfect combination of European design styles

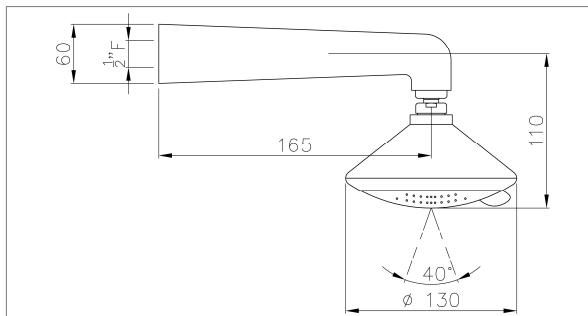
**Packaged properties:**

Box length (mm): 225      Box depth(mm): 208  
 Box width(mm): 145      Boxed weight (Kg): 1.0

**Includes pop up waste?:** No

**Additional comments:**  
 See AB2418 & AB2412

**Product dimensions:**



- **Product mounted where:** Wall
- **Recommended hole size:** 230 mm
- **Overall Height / projection:** 165 mm
- **Exit reach:** 110 mm
- **Exit height:** 60 mm
- **Base size:**

• **Inlet centre distance(s):**

- **Min. fitting depth required:** 60 mm
- **Max. surface depth:**

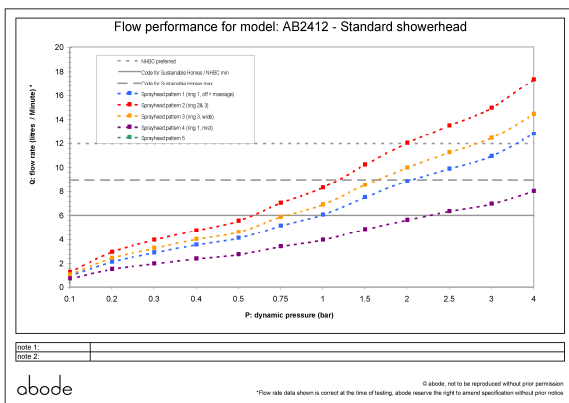
Euphoria  
 fixed showerhead kit  
 (wall mounted)

AB2405 v2



(c) abode home products ltd  
 www.abode.eu  
 our policy is to continually  
 improve and develop products,  
 and accordingly we reserve the  
 right to amend specifications  
 without prior notice

**Product flow characteristics:**



- **Min / Max water pressure (bar):** 0.60\* / 5.00
- **Part G max. mixed flow rate at 3 bar (l/m):** 13.36
- **Inlet connection type / length:** Semi rigid flexi / mm
- **Inlet (plumbing connection) / outlet size:** 1/2" F / M10

• **Product flow characteristics:**  
 Non return valve(s) supplied or position:

• **Aerator type:**

- **Control valve type:** ( )
- **Includes output diverter?:** No

- **Inlet meshed particle filters included:**
- **Shower hose type / length:**

**Warranty Summary** (full details available on request):

- Materials and workmanship defects warranted for 5 years
- Valves and working parts warranted for 5 years
- Surface warranty defects warranted for 1 year
- O-rings, hoses & gaskets warranted for 1 year

**Care instructions:**

- Clean the mixers and showers regularly as required, using soap, do not use any other cleaners.
- Regular cleaning will prevent the build up of lime scale and dirt
- After cleaning rinse thoroughly with clean water to remove any cleaner residue
- Residues of liquid soaps, shampoos and shower foams can also cause damage, so rinse with clean water after using, avoid contact with any abrasives