



### Product features:

- Metal & ABS construction
- Thermostatic valve for safety & comfort
- Optional 8L/min flow limiter included
- Multi spray pattern showerhead
- 5 year limited warranty

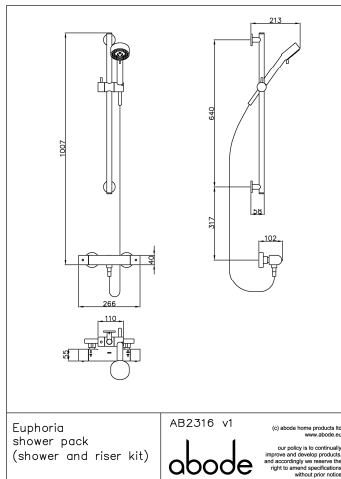
### Packaged properties:

**Box length:** 776 mm      **Box depth:** 114 mm  
**Box width:** 202 mm      **Boxed weight:** 3.89 kg

**Includes pop up waste?:** No

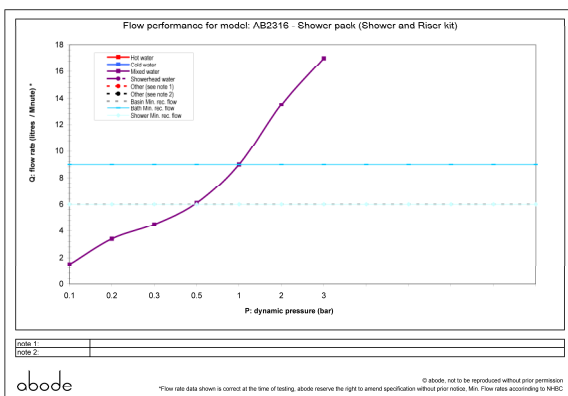
**Additional comments:**

### Product dimensions:



- Overall Height / projection: 1007 mm
- Exit reach: 213 mm
- Exit height: 102 mm
- Centre distance(s): 150 ± 20 mm
- Base diameter(s): 65 mm
- Product mounted where: Wall
- Recommended hole diameter: 60 mm
- Min. fitting depth required: 60 mm
- Max. surface depth: 110 mm

### Product flow characteristics:



- Min / Max water pressure: 0.3 (0.5 bar preferred) / 5 bar
- Part G mixed flow rate at 3 bar (l/m): 17

- Max water temperature: 70° C
- Product flow characteristics:
- Aerator type:
- Includes output diverter?: No
- Control valve type: Thermostatic ( )
- Non return valve position: h&c inlet
- Mesh particle filter size: 0.60 mm
- Inlet / outlet size: 1/2" M /
- Inlet type / length: Eccentric / 50 mm
- Shower hose type / length: Smoothflex / 1.50 m

### Warranty Summary (Full details available on request):

- Materials and workmanship defects warranted for 5 years
- Valves and working parts warranted for 5 years
- Surface warranty defects warranted for 1 year
- O-rings, hoses & gaskets warranted for 1 year

### Care instructions:

- Clean the mixers and showers regularly as required, using soap, do not use any other cleaners.
- Regular cleaning will prevent the build up of lime scale and dirt
- After cleaning rinse thoroughly with clean water to remove any cleaner residue
- Residues of liquid soaps, shampoos and shower foams can also cause damage, so rinse with clean water after using, avoid contact with any abrasives