

Product features:

- Metal construction throughout
- Smoothflex shower hose for stylish durability
- Single spray pattern showerhead
- Luscious European quality chromium plate finish
- Minimalist planate design form

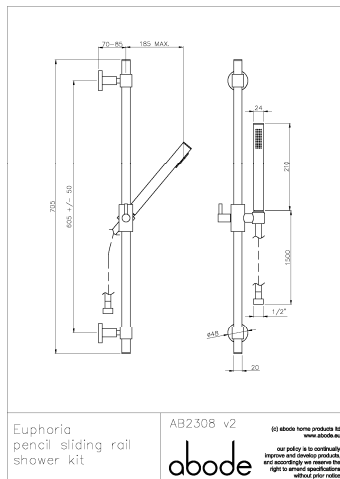
Packaged properties:

Box length: 770 mm **Box depth:** 90 mm
Box width: 135 mm **Boxed weight:** 1.76 kg

Includes pop up waste?: No

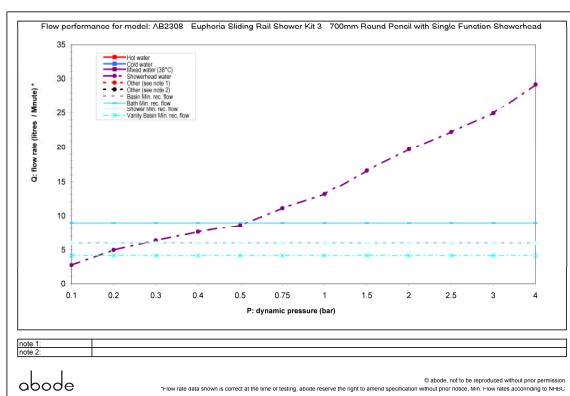
Additional comments:

Product dimensions:



- **Overall Height / projection:** 705 mm
- **Exit reach:** 185 mm
- **Exit height:** adjustable mm
- **Centre distance(s):** 605 +/- 50 mm
- **Base diameter(s):** 48 mm
- **Product mounted where:** Wall
- **Recommended hole diameter:** n/a mm
- **Min. fitting depth required:** 30 mm
- **Max. surface depth:** n/a mm

Product flow characteristics:



- **Min / Max water pressure:** 0.3 / 5.5 bar
- **Part G mixed flow rate at 3 bar (l/m):** 24.8
- **Max water temperature:** 70° C
- **Product flow characteristics:** N/a
- **Aerator type:** N/a
- **Includes output diverter?:** No
- **Control valve type:** N/a (n/a)
- **Non return valve position:** no
- **Mesh particle filter size:** n/a
- **Inlet / outlet size:** 1/2" F / 1/2" F
- **Inlet type / length:** N/a / n/a mm
- **Shower hose type / length:** Smoothflex / 1.50 m

Warranty Summary (Full details available on request):

- Materials and workmanship defects warranted for 5 years
- Valves and working parts warranted for 5 years
- Surface warranty defects warranted for 1 year
- O-rings, hoses & gaskets warranted for 1 year

Care instructions:

- Clean the mixers and showers regularly as required, using soap, do not use any other cleaners.
- Regular cleaning will prevent the build up of lime scale and dirt
- After cleaning rinse thoroughly with clean water to remove any cleaner residue
- Residues of liquid soaps, shampoos and shower foams can also cause damage, so rinse with clean water after using, avoid contact with any abrasives