

**Product features:**

- Metal construction throughout
- Custom designed for lower range pressures
- Thermostatic valve for safety & comfort
- Freshly designed contemporary blend
- Supplied with adjustable centre inlets

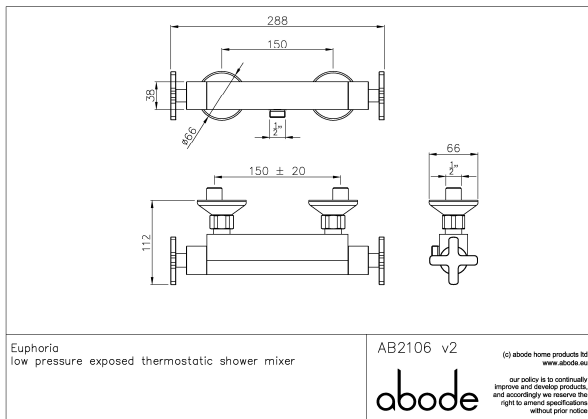
**Packaged properties:**

Box length (mm): 380      Box depth(mm): 75  
Box width(mm): 175      Boxed weight (Kg): 2.5

Includes pop up waste?: No

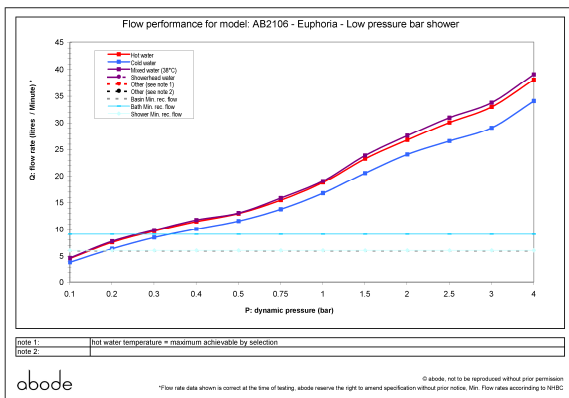
Additional comments:

**Product dimensions:**



- Product mounted where: Wall
- Recommended hole size: 112 mm
- Overall Height / projection: 66 mm
- Exit reach: 150 ± 20 mm
- Exit height: 66 mm
- Base size: 3"
- Inlet centre distance(s):
- Min. fitting depth required: 60 mm
- Max. surface depth:

**Product flow characteristics:**



- Min / Max water pressure (bar): 0.20\* / 5.00
- Part G max. mixed flow rate at 3 bar (l/m): 33.7
- Inlet connection type / length: Eccentric / 50 mm
- Inlet (plumbing connection) / outlet size: 1/2" M /
- Product flow characteristics: Non return valve(s) supplied or position: h&c inlet
- Aerator type:
- Control valve type: Thermostatic ( )
- Includes output diverter?: No
- Inlet meshed particle filters included: 0.60 mm
- Shower hose type / length:

**Warranty Summary** (full details available on request):

- Materials and workmanship defects warranted for 5 years
- Valves and working parts warranted for 5 years
- Surface warranty defects warranted for 1 year
- O-rings, hoses & gaskets warranted for 1 year

**Care instructions:**

- Clean the mixers and showers regularly as required, using soap, do not use any other cleaners.
- Regular cleaning will prevent the build up of lime scale and dirt
- After cleaning rinse thoroughly with clean water to remove any cleaner residue
- Residues of liquid soaps, shampoos and shower foams can also cause damage, so rinse with clean water after using, avoid contact with any abrasives