



Product features:

- Metal construction throughout
- Custom designed for lower range pressures
- Quarter turn handle action for precise flow control
- Supplied with fixed 3/4" inlets for maximum stability and flow
- Traditional European styling

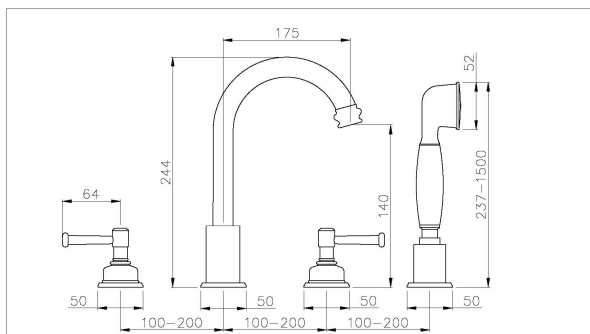
Packaged properties:

Box length (mm): 410 Box depth(mm): 110
 Box width(mm): 280 Boxed weight (Kg): 5.0

Includes pop up waste?: No

Additional comments:

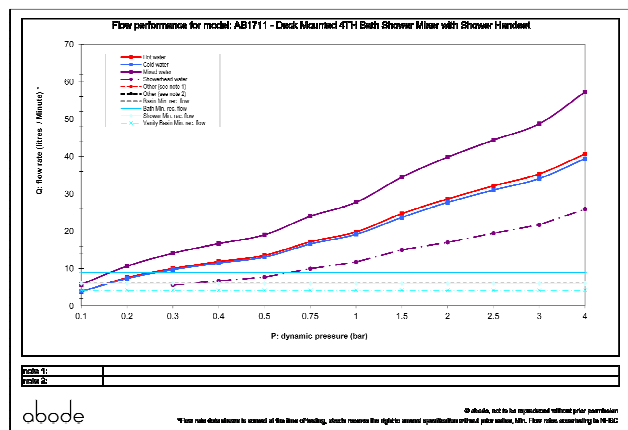
Product dimensions:



Gallant deck mounted 4 TH bath shower mixer
 AB1711 v1
 © abode home products ltd www.abode.au
 our policy is to continually improve and develop products, and accordingly we reserve the right to amend specifications without prior notice

- **Product mounted where:** Surface
- **Recommended hole size:** 34-44, 28-35, 34-44 mm
- **Overall Height / projection:** 244 mm
- **Exit reach:** 175 mm
- **Exit height:** 140 mm
- **Base size:** 50 mm
- **Inlet centre distance(s):** 100-200 mm
- **Min. fitting depth required:** 0 mm
- **Max. surface depth:** 55 mm

Product flow characteristics:



- **Min / Max water pressure (bar):** 0.20* / 5.50
 *Detailed minimum pressure requirements for this product: Bath 0.2, Shower 0.4 (bar)
- **Part G max. mixed flow rate at 3 bar (l/m):** bath: 48.75, shower: 21.73
- **Inlet connection type / length:** Flexi / 500 mm
- **Inlet (plumbing connection) / outlet size:** 3/4" F / 3/4" F
- **Product flow characteristics:** Single flow
 Non return valve(s) supplied or position: no
- **Aerator type:** White plastic low pressure flow straightener
- **Control valve type:** 3/4 QT CD (8-20)
- **Includes output diverter?:** Yes
- **Inlet meshed particle filters included:** n/a

Warranty Summary (full details available on request):

- Materials and workmanship defects warranted for 5 years
- Valves and working parts warranted for 5 years
- Surface warranty defects warranted for 1 year
- O-rings, hoses & gaskets warranted for 1 year

Care instructions:

- Clean the mixers and showers regularly as required, using soap, do not use any other cleaners.
- Regular cleaning will prevent the build up of lime scale and dirt
- After cleaning rinse thoroughly with clean water to remove any cleaner residue
- Residues of liquid soaps, shampoos and shower foams can also cause damage, so rinse with clean water after using, avoid contact with any abrasives