



Product features:

- Metal construction throughout
- Custom designed for lower range pressures
- Luscious European quality chromium plate finish
- Fixed spout to prevent accidental water damage
- Traditional European styling

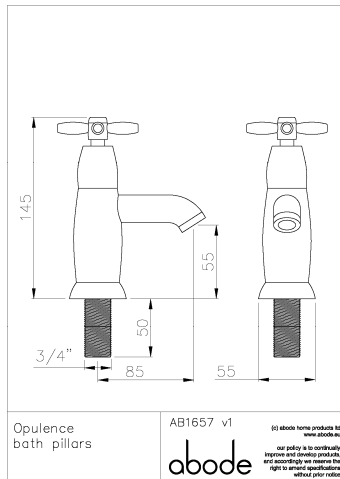
Packaged properties:

Box length: 255 mm **Box depth:** 95 mm
Box width: 200 mm **Boxed weight:** 2.16 kg

Includes pop up waste?: No

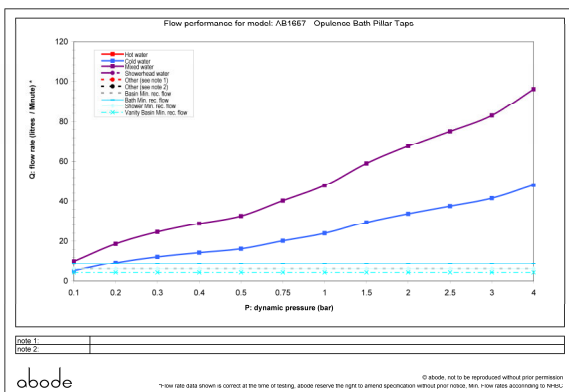
Additional comments:

Product dimensions:



- **Overall Height / projection:** 145 mm
- **Exit reach:** 85 mm
- **Exit height:** 55 mm
- **Centre distance(s):** n/a mm
- **Base diameter(s):** 55 mm
- **Product mounted where:** Surface
- **Recommended hole diameter:** 35 mm
- **Min. fitting depth required:** 0 mm
- **Max. surface depth:** 40 mm

Product flow characteristics:



- **Min / Max water pressure:** 0.1 / 5.5 bar
- **Part G mixed flow rate at 3 bar (l/m):** 83.02
- **Max water temperature:** 70° C
- **Product flow characteristics:** Single flow
- **Aerator type:** Flow straightener
- **Includes output diverter?:** N/A
- **Control valve type:** 3/4 QT CD (8-20)
- **Non return valve position:** n/a
- **Mesh particle filter size:** n/a
- **Inlet / outlet size:** 3/4" M / n/a
- **Inlet type / length:** Fixed / 50 mm
- **Shower hose type / length:** N/a / n/a

Warranty Summary (Full details available on request):

- Materials and workmanship defects warranted for 5 years
- Valves and working parts warranted for 5 years
- Surface warranty defects warranted for 1 year
- O-rings, hoses & gaskets warranted for 1 year

Care instructions:

- Clean the mixers and showers regularly as required, using soap, do not use any other cleaners.
- Regular cleaning will prevent the build up of lime scale and dirt
- After cleaning rinse thoroughly with clean water to remove any cleaner residue
- Residues of liquid soaps, shampoos and shower foams can also cause damage, so rinse with clean water after using, avoid contact with any abrasives