

Product features:

- Metal & ABS construction
- Quarter turn handle action for precise flow control
- Minimalist planate design form
- Supplied with fixed 3/4" inlets for maximum stability and flow
- A modern design classic style

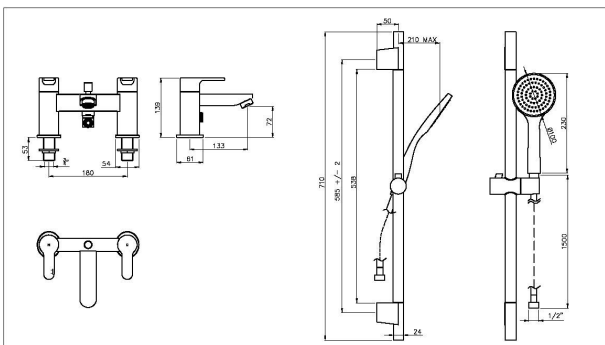
Packaged properties:

Box length (mm): 800 Box depth(mm): 265
 Box width(mm): 220 Boxed weight (Kg): 5.4

Includes pop up waste?: No

Additional comments:

Product dimensions:



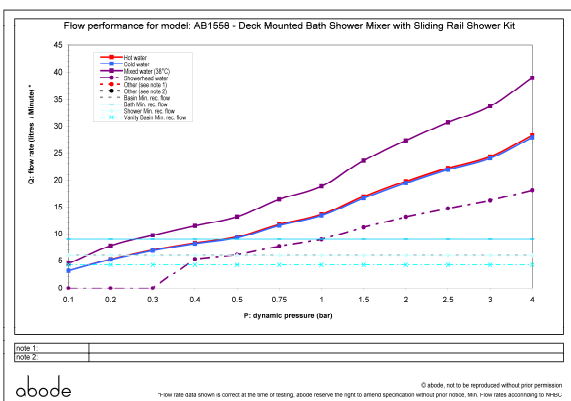
Début dual handle bath shower mixer with sliding rail

AB1558 v1
abode

(c) abode horva products ltd www.abode.eu
 our policy is to continually improve and develop products, and accordingly we reserve the right to amend specifications without prior notice

- **Product mounted where:** Surface
- **Recommended hole size:** 35 mm
- **Overall Height / projection:** 139 mm
- **Exit reach:** 133 mm
- **Exit height:** 73 mm
- **Base size:** 54 x 61 mm
- **Inlet centre distance(s):** 180 mm
- **Min. fitting depth required:** n/a mm
- **Max. surface depth:** 34 mm

Product flow characteristics:



- **Min / Max water pressure (bar):** 0.30* / 5.50
 *Detailed minimum pressure requirements for this product: Bath 0.3, Shower 0.5 (bar)
- **Part G max. mixed flow rate at 3 bar (l/m):** 13.32
- **Inlet connection type / length:** Fixed / 53 mm
- **Inlet (plumbing connection) / outlet size:** 3/4" M / N/A
- **Product flow characteristics:** Single Flow
- **Non return valve(s) supplied or position:** No
- **Aerator type:** Plastic honeycomb
- **Control valve type:** 3/4 QT CD (8-20)
- **Includes output diverter?:** No
- **Inlet meshed particle filters included:** N/A
- **Shower hose type / length:** Smoothflex / 2.00 m

Warranty Summary (full details available on request):

- Materials and workmanship defects warranted for 5 years
- Valves and working parts warranted for 5 years
- Surface warranty defects warranted for 1 year
- O-rings, hoses & gaskets warranted for 1 year

Care instructions:

- Clean the mixers and showers regularly as required, using soap, do not use any other cleaners.
- Regular cleaning will prevent the build up of lime scale and dirt
- After cleaning rinse thoroughly with clean water to remove any cleaner residue
- Residues of liquid soaps, shampoos and shower foams can also cause damage, so rinse with clean water after using, avoid contact with any abrasives