

Product features:

- Metal construction throughout
- Quarter turn handle action for precise flow control
- Minimalist planate design form
- Supplied with fixed 3/4" inlets for maximum stability and flow
- A modern design classic style

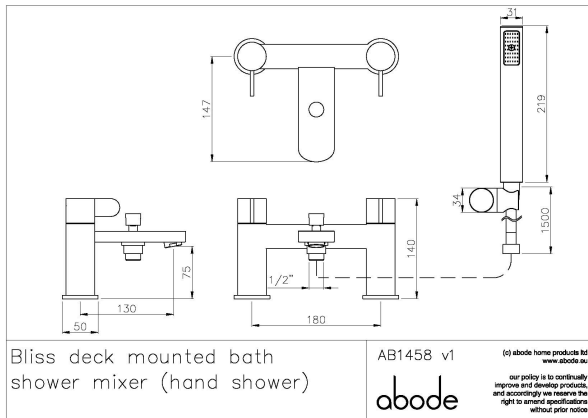
Packaged properties:

Box length (mm): 280 Box depth(mm): 170
 Box width(mm): 210 Boxed weight (Kg): 3.8

Includes pop up waste?: No

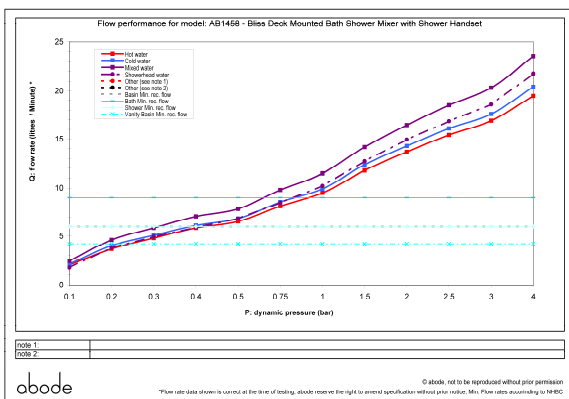
Additional comments:

Product dimensions:



- Product mounted where: Surface
- Recommended hole size: 35 mm
- Overall Height / projection: 140 mm
- Exit reach: 130 mm
- Exit height: 75 mm
- Base size: 50 mm
- Inlet centre distance(s): 180 mm
- Min. fitting depth required: n/a mm
- Max. surface depth: 45 mm

Product flow characteristics:



- Min / Max water pressure (bar): 0.75* / 5.50
 *Detailed minimum pressure requirements for this product: Bath 0.75, Shower 0.4 (bar)
- Part G max. mixed flow rate at 3 bar (l/m): 20.33
- Inlet connection type / length: Fixed / 53 mm
- Inlet (plumbing connection) / outlet size: 3/4" M / N/A
- Product flow characteristics: Single Flow
- Non return valve(s) supplied or position: No
- Aerator type: Grey flow straightener
- Control valve type: 3/4 QT CD (8-20)
- Includes output diverter?: Yes
- Inlet meshed particle filters included: N/A
- Shower hose type / length: Smoothflex / 1.50 m

Warranty Summary (full details available on request):

- Materials and workmanship defects warranted for 5 years
- Valves and working parts warranted for 5 years
- Surface warranty defects warranted for 1 year
- O-rings, hoses & gaskets warranted for 1 year

Care instructions:

- Clean the mixers and showers regularly as required, using soap, do not use any other cleaners.
- Regular cleaning will prevent the build up of lime scale and dirt
- After cleaning rinse thoroughly with clean water to remove any cleaner residue
- Residues of liquid soaps, shampoos and shower foams can also cause damage, so rinse with clean water after using, avoid contact with any abrasives