

### Product features:

- Metal construction throughout
- Quarter turn handle action for precise flow control
- Minimalist planate design form
- Supplied with fixed 3/4" inlets for maximum stability and flow
- Custom designed for lower range pressures

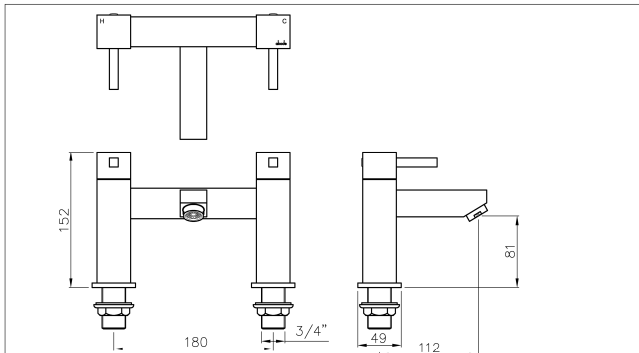
### Packaged properties:

**Box length:** 280 mm      **Box depth:** 150 mm  
**Box width:** 235 mm      **Boxed weight:** 3.16 kg

**Includes pop up waste?:** No

**Additional comments:**

### Product dimensions:



Zeal  
Bath Mixer

AB1285 v1

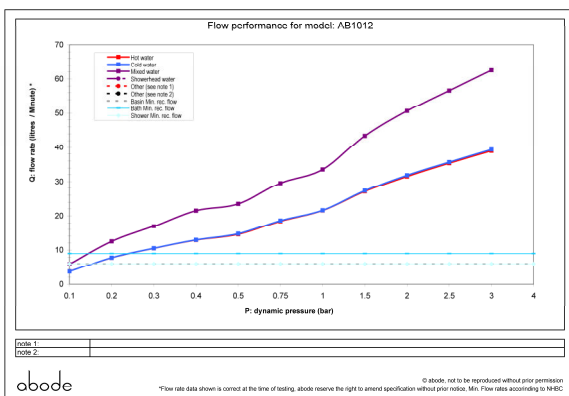
(c) abode home products ltd  
www.abode.eu

abode

our policy is to continually improve and develop products, with each change you reserve the right to amend specifications without prior notice

- Overall Height / projection: 152 mm
- Exit reach: 112 mm
- Exit height: 81 mm
- Centre distance(s): 180 mm
- Base diameter(s): 49x49 mm
- Product mounted where: Surface
- Recommended hole diameter: 35 mm
- Min. fitting depth required: 0 mm
- Max. surface depth: 20 mm

### Product flow characteristics:



- Min / Max water pressure: 0.15 / 5 bar
- Part G mixed flow rate at 3 bar (l/m): 62.5
- Max water temperature: 70° C
- Product flow characteristics: Single flow
- Aerator type: Flow straightener
- Includes output diverter?: No
- Control valve type: 3/4 QT CD (8-28)
- Non return valve position: No
- Mesh particle filter size: No
- Inlet / outlet size: 3/4" M / N/A
- Inlet type / length: Fixed / 46 mm
- Shower hose type / length: N/A / N/A

### Warranty Summary (Full details available on request):

- Materials and workmanship defects warranted for 5 years
- Valves and working parts warranted for 5 years
- Surface warranty defects warranted for 1 year
- O-rings, hoses & gaskets warranted for 1 year

### Care instructions:

- Clean the mixers and showers regularly as required, using soap, do not use any other cleaners.
- Regular cleaning will prevent the build up of lime scale and dirt
- After cleaning rinse thoroughly with clean water to remove any cleaner residue
- Residues of liquid soaps, shampoos and shower foams can also cause damage, so rinse with clean water after using, avoid contact with any abrasives