

Product features:

- Metal & ABS construction
- Single lever control for effortless single handed control
- Leading design features requiring high pressure
- Fixed spout to prevent accidental water damage
- Non-adjustable exit height

Packaged properties:

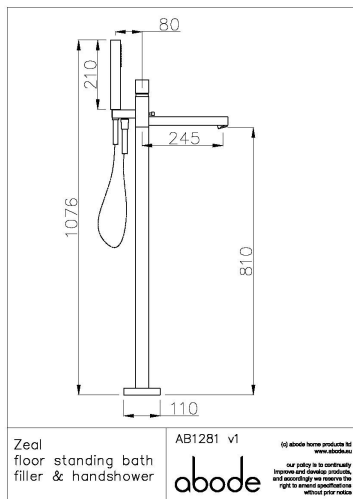
Box length (mm): 1280 Box depth(mm): 235
 Box width(mm): 570 Boxed weight (Kg): 14.1

Includes pop up waste?: No

Additional comments:

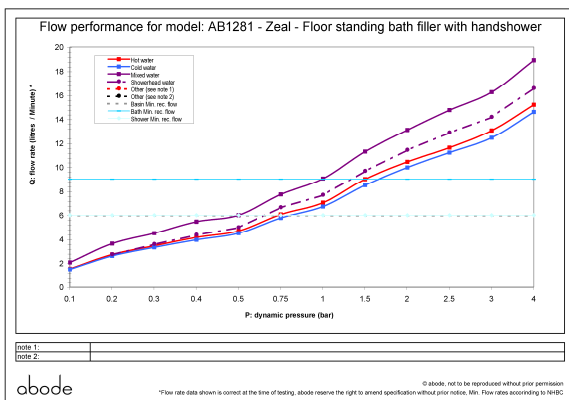
Includes mesh filter, 2.5mm allen key. ABS showerhead

Product dimensions:



- **Product mounted where:** Floor
- **Recommended hole size:** 1076 mm
- **Overall Height / projection:** 245 mm
- **Exit reach:** 810 mm
- **Exit height:** 110 mm
- **Base size:**
- **Inlet centre distance(s):**
- **Min. fitting depth required:** 60 mm
- **Max. surface depth:**

Product flow characteristics:



- **Min / Max water pressure (bar):** 1.00* / 5.00
 *Detailed minimum pressure requirements for this product: Bath 1, Shower 0.75 (bar)
- **Part G max. mixed flow rate at 3 bar (l/m):** bath=16.25, shower=14.2
- **Inlet connection type / length:** / mm
- **Inlet (plumbing connection) / outlet size:** 1/2" F /
- **Product flow characteristics:** Single flow
- **Non return valve(s) supplied or position:** sprayhead exit
- **Aerator type:** Plastic honeycomb
- **Control valve type:** Single lever ()
- **Includes output diverter?:** Yes
- **Inlet meshed particle filters included:** 0.60 mm
- **Shower hose type / length:** Smoothflex / 1.50 m

Warranty Summary (full details available on request):

- Materials and workmanship defects warranted for 5 years
- Valves and working parts warranted for 5 years
- Surface warranty defects warranted for 1 year
- O-rings, hoses & gaskets warranted for 1 year

Care instructions:

- Clean the mixers and showers regularly as required, using soap, do not use any other cleaners.
- Regular cleaning will prevent the build up of lime scale and dirt
- After cleaning rinse thoroughly with clean water to remove any cleaner residue
- Residues of liquid soaps, shampoos and shower foams can also cause damage, so rinse with clean water after using, avoid contact with any abrasives