

**Product features:**

- Metal & ABS construction
- Custom designed for lower range pressures
- Single lever control for effortless single handed control
- Supplied with copper tail pipes for maximum stability and flow
- Fixed spout to prevent accidental water damage

**Packaged properties:**

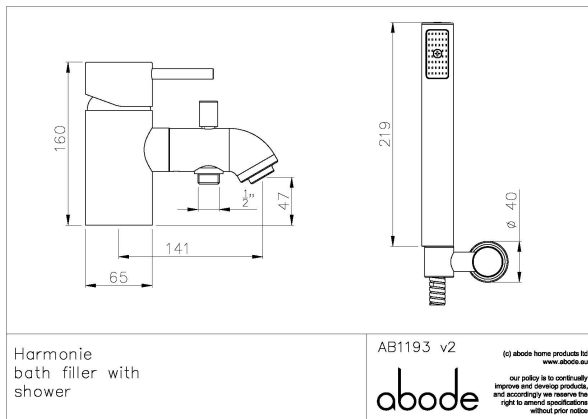
Box length (mm): 270      Box depth(mm): 155  
 Box width(mm): 235      Boxed weight (Kg): 3.9

**Includes pop up waste?:** No

**Additional comments:**

Includes pencil showerhead & fixed bracket

**Product dimensions:**

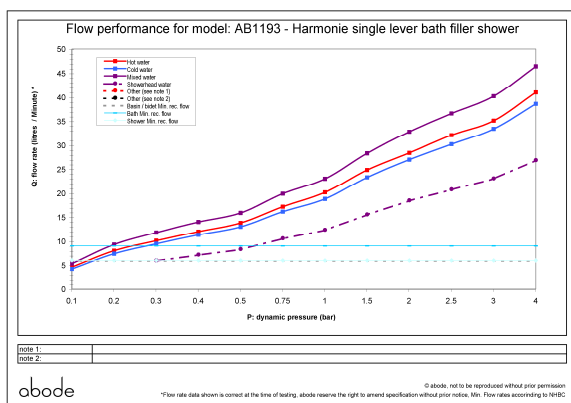


- **Product mounted where:** Surface
- **Recommended hole size:** 35 mm
- **Overall Height / projection:** 160 mm
- **Exit reach:** 141 mm
- **Exit height:** 47 mm
- **Base size:** 65 mm

• **Inlet centre distance(s):**

- **Min. fitting depth required:** 85 mm
- **Max. surface depth:**

**Product flow characteristics:**



- **Min / Max water pressure (bar):** 0.20\* / 5.00  
 \*Detailed minimum pressure requirements for this product: Bath 0.2, Shower 0.3 (bar)
- **Part G max. mixed flow rate at 3 bar (l/m):** bath=40.2, shower=23.1
- **Inlet connection type / length:** Copper / 300 mm
- **Inlet (plumbing connection) / outlet size:** Ø15 / m16
- **Product flow characteristics:** Single flow
- **Non return valve(s) supplied or position:**
- **Aerator type:** White flow straightener
- **Control valve type:** Single lever (45mm)
- **Includes output diverter?:** Yes
- **Inlet meshed particle filters included:**
- **Shower hose type / length:**

**Warranty Summary** (full details available on request):

- Materials and workmanship defects warranted for 5 years
- Valves and working parts warranted for 5 years
- Surface warranty defects warranted for 1 year
- O-rings, hoses & gaskets warranted for 1 year

**Care instructions:**

- Clean the mixers and showers regularly as required, using soap, do not use any other cleaners.
- Regular cleaning will prevent the build up of lime scale and dirt
- After cleaning rinse thoroughly with clean water to remove any cleaner residue
- Residues of liquid soaps, shampoos and shower foams can also cause damage, so rinse with clean water after using, avoid contact with any abrasives