

### Product features:

- Metal construction throughout
- Quarter turn handle action for precise flow control
- Freshly designed contemporary blend
- 'Click Clack' waste included
- 90 degree restricted spout rotation

### Packaged properties:

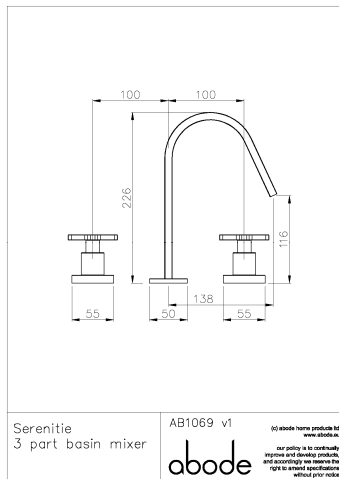
**Box length:** 390 mm      **Box depth:** 80 mm  
**Box width:** 240 mm      **Boxed weight:** 2.75 kg

**Includes pop up waste?:** Yes

### Additional comments:

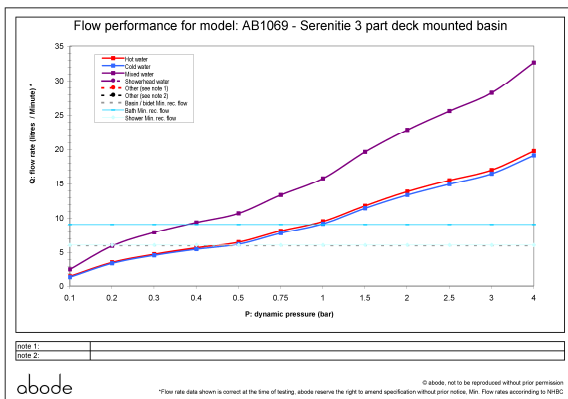
Push fit handles, 'click clack' waste

### Product dimensions:



- **Overall Height / projection:** 226 mm
- **Exit reach:** 138 mm
- **Exit height:** 116 mm
- **Centre distance(s):** 100 mm
- **Base diameter(s):** 55, 50, 55 mm
- **Product mounted where:** Surface
- **Recommended hole diameter:** Ø 28, 32, 28 mm
- **Min. fitting depth required:**
- **Max. surface depth:** 40 mm

### Product flow characteristics:



- **Min / Max water pressure:** 0.2 / 5 bar
- **Part G mixed flow rate at 3 bar (l/m):** 28.2
- **Max water temperature:** 70° C
- **Product flow characteristics:** Single flow
- **Aerator type:** Grey flow straightener
- **Includes output diverter?:** No
- **Control valve type:** 1/2" QT CD (8-20)
- **Non return valve position:**
- **Mesh particle filter size:**
- **Inlet / outlet size:** 1/2" M / m10
- **Inlet type / length:** Fixed / 380 mm
- **Shower hose type / length:**

### Warranty Summary (Full details available on request):

- Materials and workmanship defects warranted for 5 years
- Valves and working parts warranted for 5 years
- Surface warranty defects warranted for 1 year
- O-rings, hoses & gaskets warranted for 1 year

### Care instructions:

- Clean the mixers and showers regularly as required, using soap, do not use any other cleaners.
- Regular cleaning will prevent the build up of lime scale and dirt
- After cleaning rinse thoroughly with clean water to remove any cleaner residue
- Residues of liquid soaps, shampoos and shower foams can also cause damage, so rinse with clean water after using, avoid contact with any abrasives