



### Product features:

- Metal construction throughout
- Quarter turn handle action for precise flow control
- Subtle soft sweeping design form
- Supplied with fixed 3/4" inlets for maximum stability and flow
- Custom designed for lower range pressures

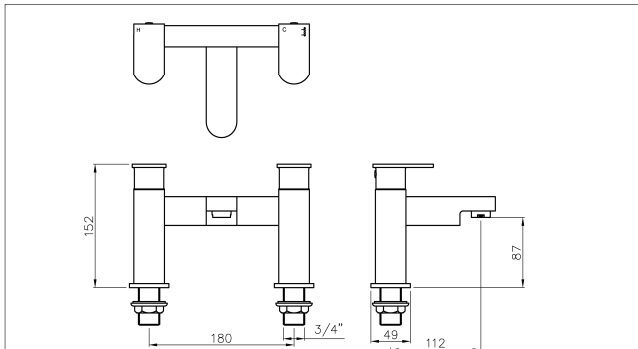
### Packaged properties:

**Box length:** 280 mm      **Box depth:** 150 mm  
**Box width:** 235 mm      **Boxed weight:** 3.46 kg

**Includes pop up waste?:** No

**Additional comments:**

### Product dimensions:



- Overall Height / projection: 152 mm
- Exit reach: 112 mm
- Exit height: 87 mm
- Centre distance(s): 180 mm
- Base diameter(s): 49x49 mm
- Product mounted where: Surface
- Recommended hole diameter: 35 mm
- Min. fitting depth required: 0 mm
- Max. surface depth: 20 mm

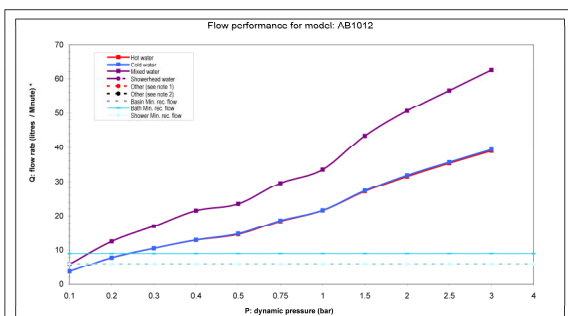
Rapture  
Bath Mixer

AB1012 v1

(c) abode home products ltd  
www.abode.eu  
our policy is to continually  
improve and develop products,  
and as a result we reserve the  
right to amend specifications  
without prior notice

abode

### Product flow characteristics:



- Min / Max water pressure: 0.15 / 5 bar
- Part G mixed flow rate at 3 bar (l/m): 62.5
- Max water temperature: 70° C
- Product flow characteristics: Single flow
- Aerator type: Flow straightener
- Includes output diverter?: No
- Control valve type: 3/4 QT CD (8-28)
- Non return valve position: No
- Mesh particle filter size: No
- Inlet / outlet size: 3/4" M / N/A
- Inlet type / length: Fixed / 46 mm
- Shower hose type / length: N/A / N/A

### Warranty Summary (Full details available on request):

- Materials and workmanship defects warranted for 5 years
- Valves and working parts warranted for 5 years
- Surface warranty defects warranted for 1 year
- O-rings, hoses & gaskets warranted for 1 year

### Care instructions:

- Clean the mixers and showers regularly as required, using soap, do not use any other cleaners.
- Regular cleaning will prevent the build up of lime scale and dirt
- After cleaning rinse thoroughly with clean water to remove any cleaner residue
- Residues of liquid soaps, shampoos and shower foams can also cause damage, so rinse with clean water after using, avoid contact with any abrasives