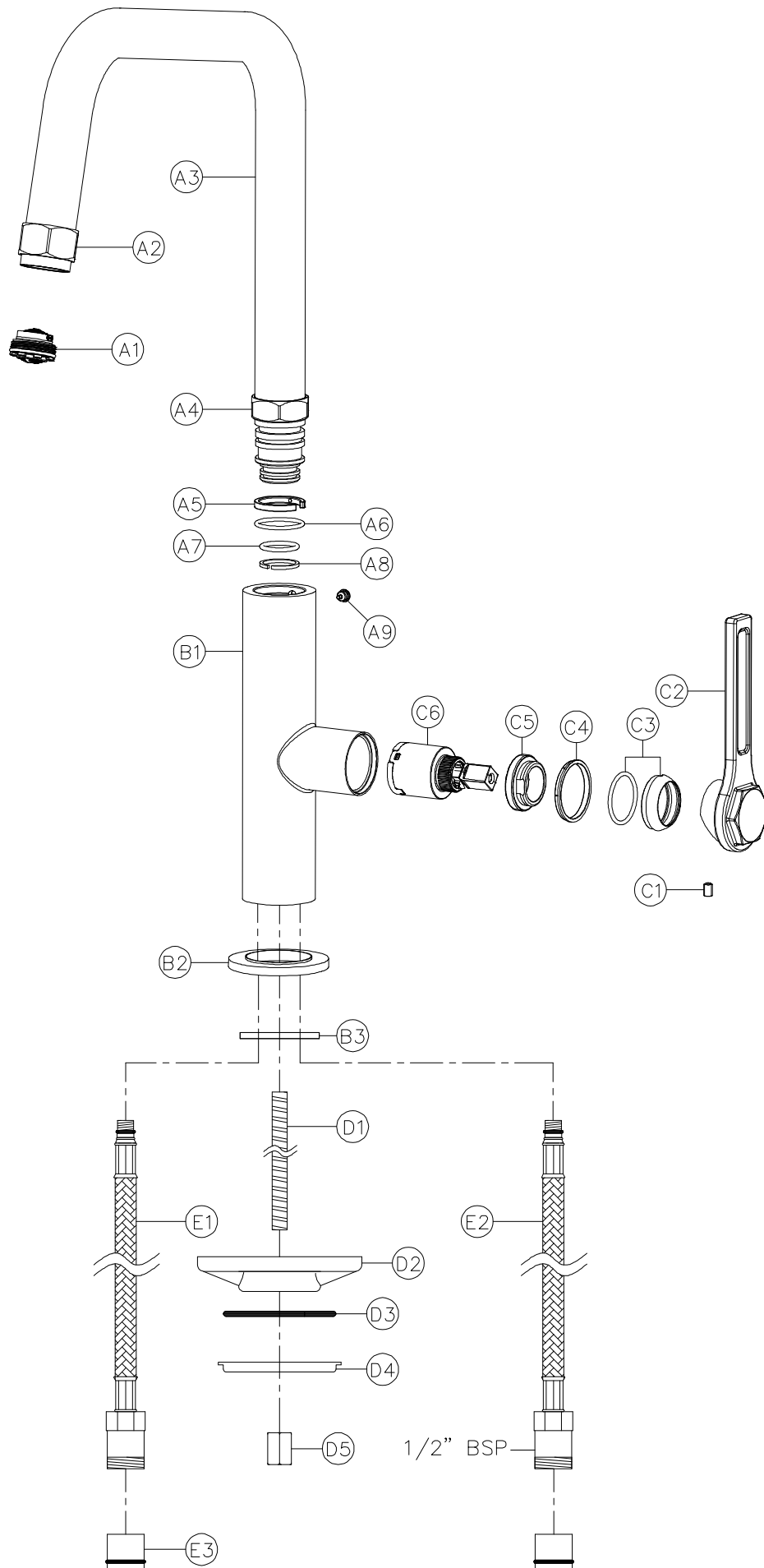


Hex Single Lever

abode



Hex Single Lever

General Advice:

- These instructions are intended as a guide only, if you are in any doubt you should seek the advice of a qualified professional.
- Take care not to mark finished parts with screwdrivers or other tools.
- Use a pair of rubber gloves to get a better grip on decorative hand tight parts.
- Ensure all parts are reassembled tightly.
- After maintenance test that all assemblies are water tight and function correctly.
- Always isolate the hot and cold water supplies before starting any maintenance, once isolated you should drain any residual water from your system.

To replace the cold valve:

1. Loosen grub screw (C1) on the underside of handle (C2) using a 2.0 mm A/F allen key.
2. Pull the handle (C2) horizontally away from the tap body (B1).
3. Unscrew the decorative cover (C3) and indices (C4) horizontally away from tap body (B1) by hand.
4. With the tap (B1) fixed to the sink/base unit, using an adjustable spanner unscrew the valve lock nut (C5).
5. Clean the Inside of chamber (B1) with a soft wet cloth.
6. Replace the faulty valve (C6) with the new one and assemble in reverse order.

To replace the spout o-rings:

1. Loosen grub screw (A9) on the back of body (B1) using a 3.0 mm A/F allen key.
2. Pull the spout (A3) vertically away from the tap body (B1).
3. Remove upper PTFE ring (A5 & A8) and O-rings (A6 & A7) using a precision screwdriver and replace with new ones.
4. Reassemble the tap in reverse order.