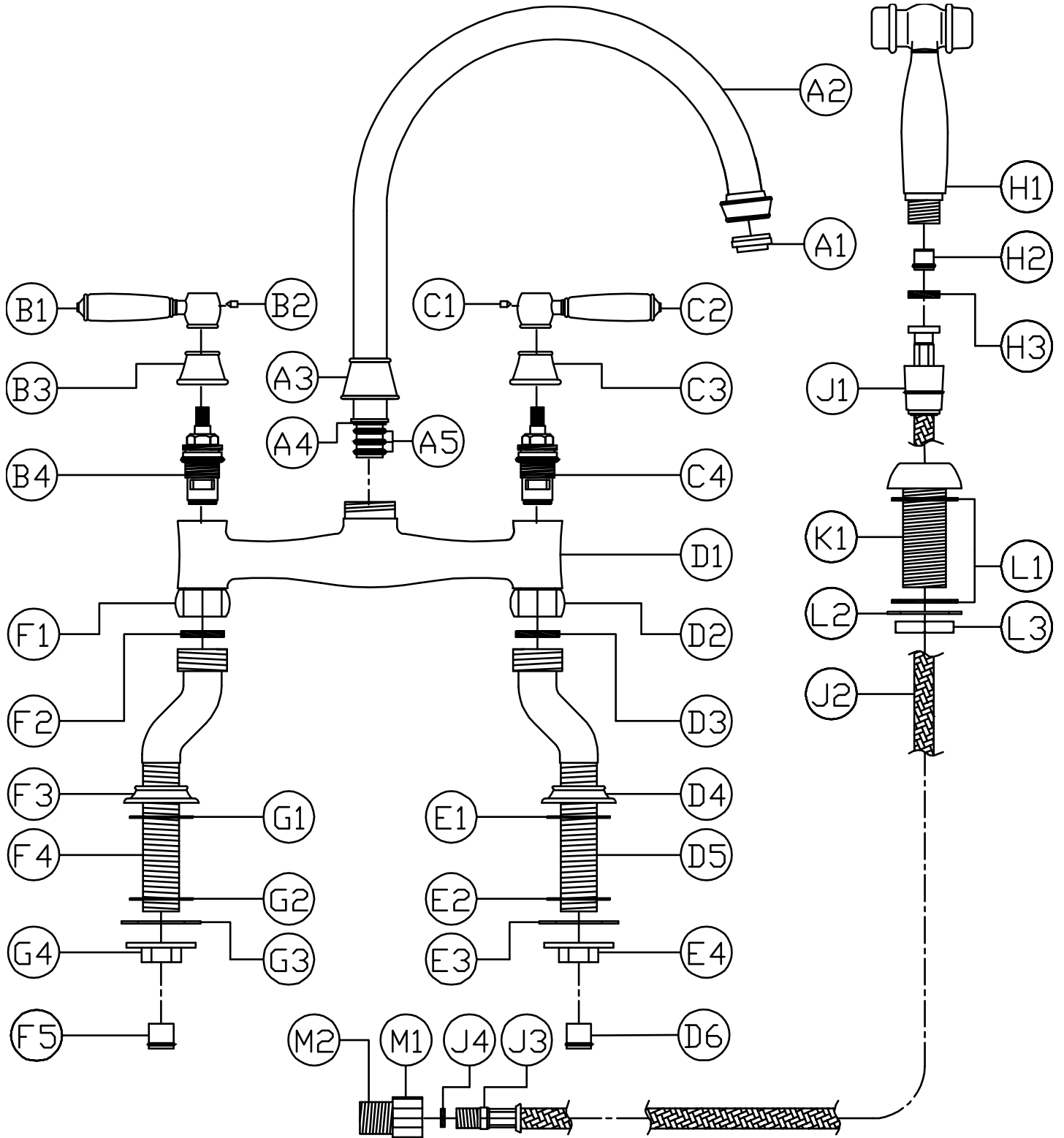


# Astbury Bridge with Spray

abode



# Astbury Bridge with Spray

abode

## General Advice:

- These instructions are intended as a guide only, if you are in any doubt you should seek the advice of a qualified professional.
- Take care not to mark finished parts with screwdrivers or other tools.
- Use a pair of rubber gloves to get a better grip on decorative hand tight parts.
- Ensure all parts are reassembled tightly.
- After maintenance test that all assemblies are water tight and function correctly.
- Always isolate the hot and cold water supplies before starting any maintenance, once isolated you should drain any residual water from your system.

## To replace the hot valve:

1. Unscrew grub screw (B2) using a 2mm Allen key.
2. Pull handle (B1) away from valve (B4)
3. Unscrew decorative valve cover (B3) from valve (B4) by hand.
4. Using a 17mm ring spanner and whilst holding the tap body (D1) firmly, unscrew and remove hot valve (B4).
5. Clean the inside of the valve chamber of the tap body (D1) with a soft damp cloth.
6. Locate the new valve (C4) and reassemble the tap in reverse order.

## To replace the spout o-rings:

1. Fully unscrew spout locking collar (A3) by hand.
2. Gently ease away spout (A2) from the tap body (D1)
3. With a soft damp cloth clean the inside of spout chamber of tap body (D1)
4. Remove worn o-rings (A5) and PTFE ring (A4) using a precision screwdriver.
5. Reassemble the tap with the new PTFE ring (A4) and o-rings (A5) in reverse order.

## To replace the handspray and seal:

1. Lift handspray (H1) from base (K1)
2. Unscrew handspray (H1) from hose connection (J1)
3. Screw the new handspray onto connection (J1) ensuring rubber seal (H3) is in place.