

Important Technical Data:

Minimum water pressure: AB2463 = 0.4 bar (No limiter) 0.5 bar (with limiter)
Maximum operating pressure 5 bar*
Maximum recommended hot water temperature 70°C

*Note: If these pressures or temperatures are exceeded, even for short periods, damage can result. In these instances a pressure reducing valve or TMV should be installed.

For manual mixing products we recommend the installation of a separate TMV2 product to reduce the risk of accidental scalding.
All thermostatic products should be tested and cleaned at least once a year.

When drilling or preparing walls take care not to disturb existing water or electrical supplies that may be buried within the wall.

Supply pipes should maintain the maximum diameter until immediately before the fitting.

Hot and cold supply pressures should be as closely balanced as possible for best results. The differential between the hot and cold water supply temperatures should be sufficient to allow correct mixing function.

Where hot and cold supply pressures are greatly imbalanced flow restricting valves or pressure reducing valves should be installed on the supply with the greater incoming pressure.

Abode products are either WRAS approved or manufactured in accordance with recognised European standards. Please ensure that your Abode product is fitted in accordance with Local Water Byelaws. Where hot and cold water mix within any product, then suitable non return valves should be installed to the hot and cold supplies to prevent backflow.

Whilst assembling this product take care not to accidentally loosen any screwed assemblies. PTFE tape can be used to ensure watertight joins on threaded connections, do not over tighten connections or allow pipes to be twisted or folded.

The installation should be periodically checked for damage, if the property is left unattended for a prolonged period we recommend isolating water supplies.

All errors and omissions excepted.

Storm Slimline 3mm Wall Mounted Waterfall Showerhead

5 Year Warranty Terms & Conditions:

In the unlikely event that you should experience any defect in the materials or workmanship of your new Abode product within FIVE years of purchase, the purchaser's sole remedy shall be the replacement (at the manufacturer's discretion) of all or any part of the product that is defective. Valves are guaranteed for a period of FIVE years from purchase. Decorative surface finishes and O-rings are guaranteed for ONE year from the date of purchase provided that our advice concerning care has been observed and no scouring agents have been used.

This is provided that the product has been used for normal domestic purposes in the UK and that the care, installation and maintenance instructions have been observed. The warranty extends to the original purchaser only. You should retain a copy of your dated invoice as proof of purchase to validate any claims under this warranty.

Marks and scratches caused by improper installation or accidental damage are not covered by this guarantee. Neither are shade variations or any damage or defect caused by incorrect installation or abuse of the fitting.

Product Care Instructions:

To maintain the appearance of this product, ensure that it is regularly cleaned only using a clean, soft damp cloth. A solution of warm water and a mild liquid detergent may be used where necessary, and then the fitting rinsed thoroughly and wiped dry. Any other cleaning action or cleaning products will invalidate your warranty.

Abrasive cleaners, scouring cleaners, limescale cleaners and acidic cleaners **must not be used** under any circumstances. Avoid contact with all solvents (including chlorinated solvents, ketones or acetones as these may result in surface deterioration or etching). Also avoid contact with any harsh household chemicals such as bleach cleaners, drain cleaners, rust removers, paint strippers and toilet bowl cleaners, toothpaste, mouthwash, bar keepers friend or Brasso.

If the product has a spout aerator it can be unscrewed and cleaned periodically in warm water to maintain flow. Sprayheads have 'rub clean' nozzles to reduce any limescale build up.

As we are continuously improving and developing our products range, finishes & colours, in the event of a valid claim, we may not be able to provide an identical replacement for the defective product throughout the warranty period. Where an identical product is no longer available, we will supply the nearest equivalent from our then current product range. In assessing your claim, we must be given the opportunity to inspect the product as installed prior to removal. Any product returns must be packaged carefully as received and complete.

No other warranties, express or implied, are made, including merchantability or fitness for a particular purpose. Under no circumstances shall the manufacturer be liable for any loss or damage arising from the purchase, use or inability to use this product, or for any special, indirect, incidental or consequential damages. No liability is accepted for consequential damage to other household fixtures, fittings or furnishings arising from this claim, even if attached to the product. No installer, dealer, agent or employee of Abode Home Products Limited has the authority to modify the obligations or limitations of this warranty.

abode

Unit L, Zenith Park, Whaley Road, Barnsley, S75 1HT.
Tel: 01226 283434 Fax: 01226 282434
www.abodedesigns.co.uk

Manufacturers Reference
©Abode 09/2017

abode

Please leave these instructions for your customer.

Installation Preparation:

All parts should be removed from their packaging and inspected for any transport damage and completeness prior to installation; you should read these instructions throughout before commencing installation.

We do not accept responsibility for problems that may occur through improper installation. Always ensure you have sufficient hot and cold water pressure available to allow correct function before specifying or installing this product.

We strongly recommend installing particle filters and isolation valves to both the hot and cold supply pipes in an accessible position. This will help to prevent premature failure of the any product valves and ease any future maintenance. All serviceable parts should be given suitable access to allow easy future maintenance.

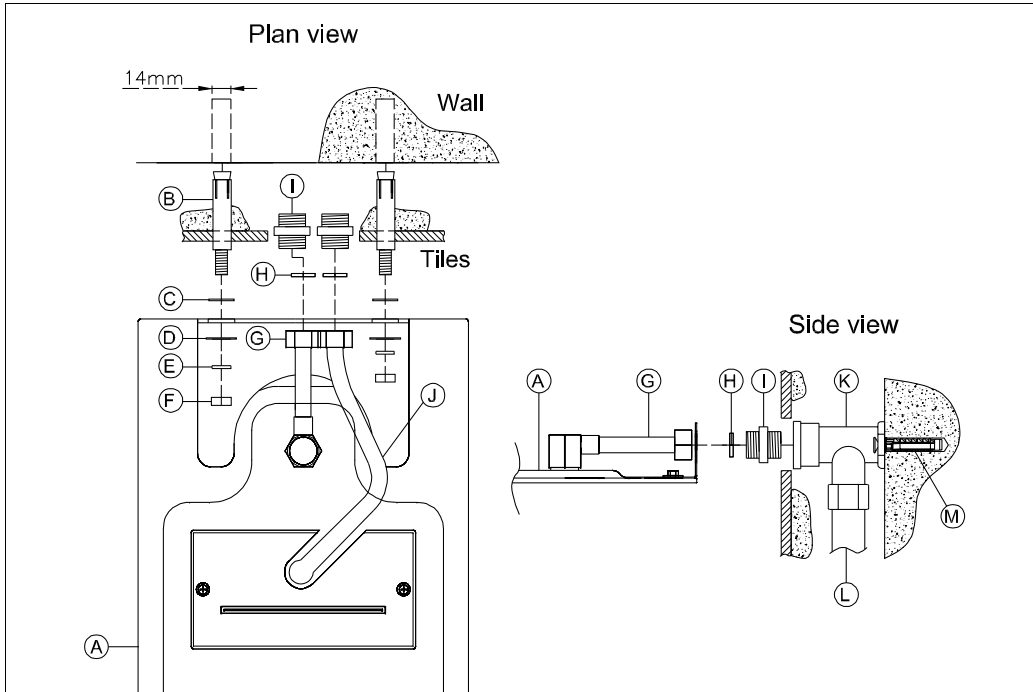
Shut off your water heating system and ensure that your mains stopcock is closed. Ensure both the hot and cold water supplies are isolated before commencing installation.

You should ensure that both the product and required fittings will fit into the depth and area of the mounting surface available before installation. Roughly assemble the product and plumbing connections to establish the required sizes.

Before installing the new fitting it is **essential that you thoroughly flush through the supply pipes** in order to remove any remaining solder, swarf or impurities from your system. Failure to carry out this simple procedure could cause problems or damage to the workings of the fitting and invalidate the warranty.

Prepare the installation hole(s) required to mount the product the hole diameter(s) should be smaller than the product base and sealing gasket and larger than the size required for the fixings and plumbing connections.

Installation Guidance:

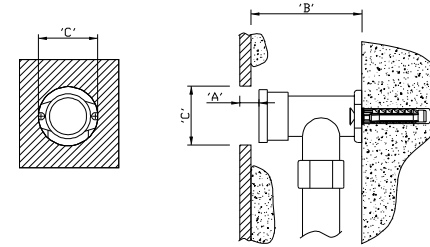


Key	Description	Qty.	Key	Description	Qty.
A	Shower body	1	H	Rubber washers	2
B	Spread bolt	2	I	1/2" Union	2
C	Small metal washer	2	J	Waterfall feed pipe (long)	1
D	Large metal washer	2	K	1/2" Female 90° backplate elbow	0
E	Split washer	2	L	15mm inlet pipe	0
F	Nut	2	M	Wall fixings	0
G	Rain shower feed pipe (short)	1			

Note: A red 12 litre flow limiter is fitted between parts (G & H). This can be removed to improve the flow rate of the shower at lower pressures.

Installation Instructions:

- Open the wall out to the required width and depth for supply pipes (L) and elbows (K).
 - All serviceable parts should be given suitable access to allow easy future maintenance.
 - You should ensure that both the product and required fittings will fit into the depth and area of the mounting surface available before installation. Roughly assemble the product and plumbing connections (example 1/2" union (K) to establish the required sizes 'A-C' to allow the 1/2" union (K) to project from the finished wall surface.



'A'	Distance from finished surface to fixed connector
'B'	Cavity depth for supply pipes and fixings
'C'	Finished hole diameter

- Fix elbow (K) inlet pipes (L) securely to the wall using appropriate fixings (M). Note these fixings should be secure enough to allow the attached product to be removed if required.
 - Before installing this new connection it is **essential that you thoroughly flush through the supply pipes** in order to remove any remaining solder, swarf or impurities from your system. Failure to carry out this simple procedure could cause problems or damage to the workings of any attached product and invalidate the warranty.
- Screw an appropriate sized 1/2" Union (I) into 1/2" elbow (K) to suit the fitting depth for shower body (A) connection size using PTFE tape or sealing compound to ensure a water tight connection.
- Make good the finished surface using tiles or similar. Ensure back of shower body (A) will cover the finished hole diameters 'C'.
- Mark out two 14mm diameter drill holes (adjust according to surface and fixing type used) for fixing shower body (A) to tiled wall using spread bolts (B). Note: Use a spirit level to adjust the shower body (A) to ensure it is fixed horizontally.
- Screw the shower body (A) to the tiled wall using fittings (B – F) in order shown.
- Connect shower feed (G) and waterfall feed (J) to 1/2" Unions (I) ensuring that rubber washers (H) are in place as shown.
- Silicone seal around the back plate section of shower body (A).

After installation:

Once you have visually checked the installation of the new product and all connections, ensure that all other fittings are closed except the new product which should be left open.

Turn on your water heating system and ensure that your mains stopcock is open. Reconnect both the hot and cold water supplies to this fitting.

Check the function of flow and function of hot, cold and mixed water though all outlets. If the product has thermostatic function test the maximum output temperature.

Turn off the product and check carefully for any leaks around all connections on the fitting and adjoining plumbing. If possible return to the installation after a longer period to double check for slower leaks. If pressure testing equipment is available check the installation to the maximum recommended pressure.

Clean the product to remove any marks created during installation as instructed, then place a bag over the product to protect the product finish until it is ready for use.

Check that the product is sealed against water ingress to the mounting surface.