

Zeal/Fervour Floor Standing Bath Filler with Shower Handset

5 Year warranty Terms and Conditions

In the unlikely event that you should experience any defect in the materials or workmanship of your new Abode tap within FIVE years of purchase, the purchaser's sole remedy shall be the replacement (at the manufacturer's discretion) of all or any part of the product that is defective. All working parts and valves are guaranteed for a period of FIVE years from purchase. Decorative surface finishes and O-rings are guaranteed for ONE year from the date of purchase provided that our advice concerning care has been observed and no scouring agents have been used.

This is provided that the tap has been used for normal domestic purposes in the UK and that the care, installation and maintenance instructions have been observed. The warranty extends to the original purchaser only. You should retain a copy of your dated invoice as proof of purchase to validate any claims under this guarantee.

Marks, scuffs and scratches caused by improper installation or accidental damage are not covered by this guarantee. Neither are shade variations or any

damage or defect caused by incorrect installation or abuse of the fitting.

As we are continuously improving and developing our range of products, finishes & colours, in the event of a valid claim, we may not be able to provide an identical replacement for the defective product throughout the guarantee period. Where an identical product is no longer available, we will supply the nearest equivalent from our then current product range. In assessing your claim, we must be given the opportunity to inspect the product as installed prior to removal. Any product returns must be packaged as received and complete.

No other warranties, express or implied, are made, including merchantability or fitness for a particular purpose. Under no circumstances shall the manufacturer be liable for any loss or damage arising from the purchase, use or inability to use this product, or for any special, indirect, incidental or consequential damages. No liability is accepted for consequential damage to other household fixtures, fittings or furnishings arising from this claim, even if attached to the product. No installer, dealer, agent or employee of Abode Home Products Limited has the authority to modify the obligations or limitations of this warranty.

Care Instructions for your Floor standing bath filler

To maintain the appearance of this tap, ensure that it is regularly cleaned only using a clean, soft damp cloth. A solution of warm water and a mild liquid detergent may be used where necessary, and then the fitting rinsed thoroughly and wiped dry. Any other cleaning action or cleaning products will invalidate your warranty. If the product has a removable spout diffuser it can be unscrewed and cleaned periodically in warm water to maintain flow.

Abrasive cleaners, scouring cleaners, limescale cleaners and acidic cleaners must not be used under any circumstances. Avoid contact with all solvents (including chlorinated solvents, ketones or acetones as these may result in surface deterioration or etching). Also avoid contact with any harsh household chemicals such as bleach cleaners, drain cleaners, rust removers, paint strippers and toilet bowl cleaners, toothpaste, mouthwash, bar keepers friend or Brasso.

Please leave these instructions for your customer.

Installation Instructions

All parts should be removed from their packaging and inspected for any transport damage and completeness prior to installation; you should read these instructions throughout before commencing installation. We do not accept responsibility for problems that may occur through improper installation. Always ensure you have sufficient hot and cold water pressure available to allow correct function before specifying or installing this product.

Before installing the bath filler it is essential that you thoroughly flush through the supply pipes in order to remove any remaining solder, swarf or impurities from your system. Failure to carry out this simple procedure could cause problems or damage to the workings of the product.

We strongly recommend installing particle filters and isolation valves to both the hot and cold feed pipes in an accessible position. This will help to prevent premature failure of the valves and ease any future maintenance.

All serviceable parts should be given suitable access to allow easy future maintenance.

Shut off your water heating system and ensure that your mains stopcock is closed. Ensure both the hot and cold water supplies are isolated before commencing installation.

You should ensure that the product will both fit into the depth of the mounting surface available and reach the required outlet position before installation.

Loosely position the tap and connecting pipes to check if any alteration to the existing pipework is required, if this is the case do this now.

Built in body installation

Before starting installation make sure that the water feed is closed.

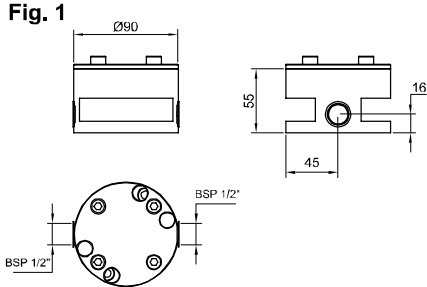
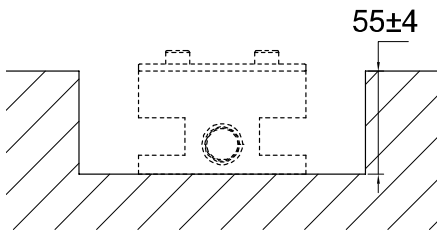
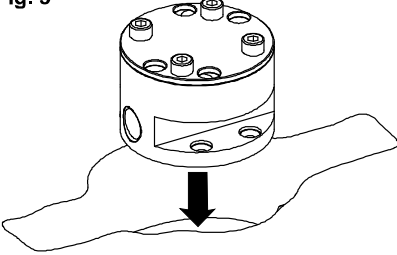
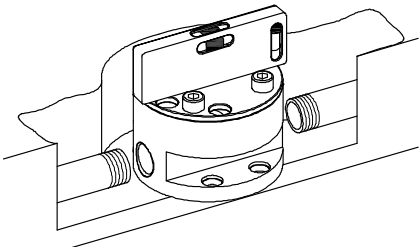
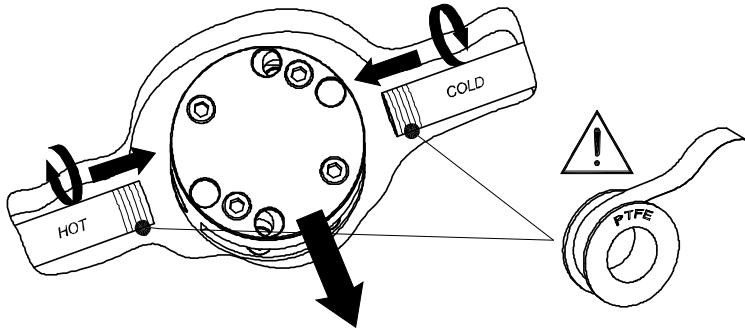
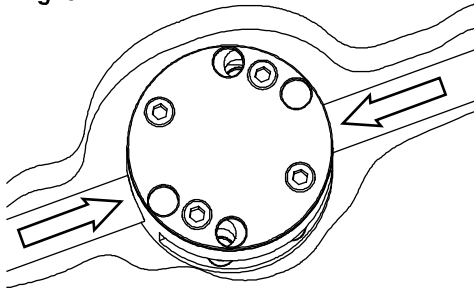
<p>Fig. 1</p> 	<p>Fig. 2</p> 
<p>Create the seat for the body and for the supply pipes complying with the indicated sizes. Note: Make sure enough space is left in the seat to allow future maintenance of the product.</p>	
<p>Fig. 3</p> 	<p>Fig. 4</p> 
<p>Position the body in its seat in the ground</p>	<p>Check with a level that the built-in body is positioned flat and check that the depth of the built-in body is within its required parameters.</p>

Fig. 5



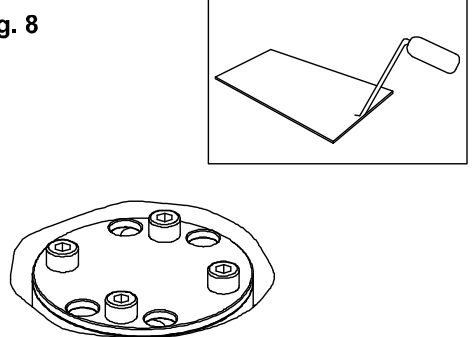
Connect the pipes to the body as indicated using Teflon or hemp to guarantee threads tightness. Isolation valves need to be placed in an accessible position for future maintenance (not below flow level). **Note: Make sure hot feed is from the left as shown, and spout is facing direction of large arrow.**

Fig. 6



Turn the water feed on and check that there are no leakages before proceeding with the installation.

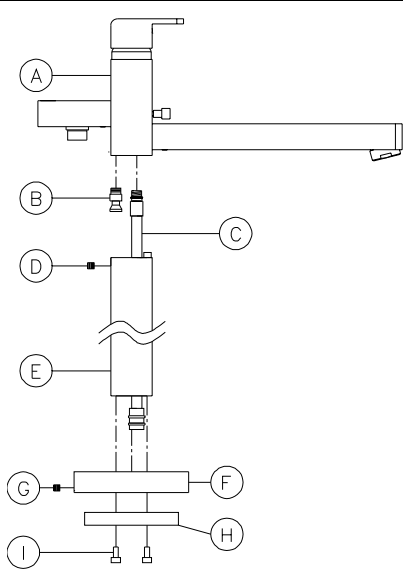
Fig. 8



Tidy and cover up hole as shown above.

Parts and Contents (Fig.9)

Key	Description	Qty
A	Upper body (Dependant on product)	1
B	Extension	1
C	Tail pipes	2
D	Grub screw (3mm)	1
E	Lower body	1
F	Base plinth	1
G	Grub screw (3mm)	1
H	Upper base part	1
I	Fixing bolts (4mm)	4
J	Hand shower	1
K	Rubber seal	2
L	Shower hose	1



The diagram shows an exploded view of a hand shower assembly. Part A is the upper body, which has a hand shower (J) attached to its side. Part B is an extension piece that fits into the underside of the upper body. Part C consists of two tail pipes that pass through the lower body (E) and exit from the top. Part D is a grub screw that secures the extension piece. Part E is the lower body, which has two pins on its top surface. Part F is the base plinth, which is secured to the lower body by a grub screw (G). Part H is the upper base part, which is attached to the lower body using four fixing bolts (I).

Fitting the tap

1. Screw extension piece (B) into underside of upper body (A) referring to location shown on (Fig. 9)
2. Pass tail pipes (C) through lower body (E) and out through the top as shown in (Fig. 9). Note: Top of lower body (E) has 2 x located pins as shown.
3. Screw tail pipes (C) to underside of lower body (E) by hand and tighten using a 9mm allen key.
4. Tighten grub screw (D) using a 3mm allen key.
5. Pass base plinth (F) over lower body (E) making sure grub screw (G) is facing towards the back.
6. Screw upper base part (H) onto lower body (E) using fixing bolts (I).

Fig. 10

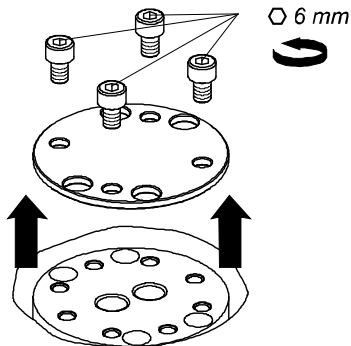


Fig. 11



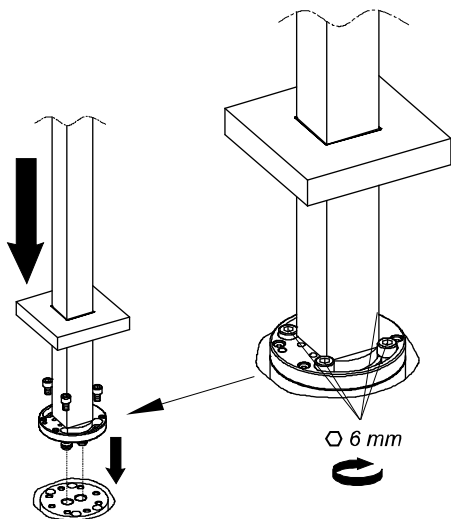
Fig. 12



Remove the test plug by unscrewing the fixing bolts using a 6mm allen key.

Note: Once removed you can discard the test plug but make sure the bolts are kept.

Fig. 13



Note: We advise for 2 people to connect the Bath filler to the grounded built in body.

1. Whilst holding the bath filler, pass the bottom of the tail pipes into the holes located in the built in body as shown.

Note: Grease may need to be used on the seals for a better fitting.

2. Using the fixing bolts taken from the test plug, fix the upper base part (H) onto the built in body as shown using a 6mm allen key.

Fig. 14

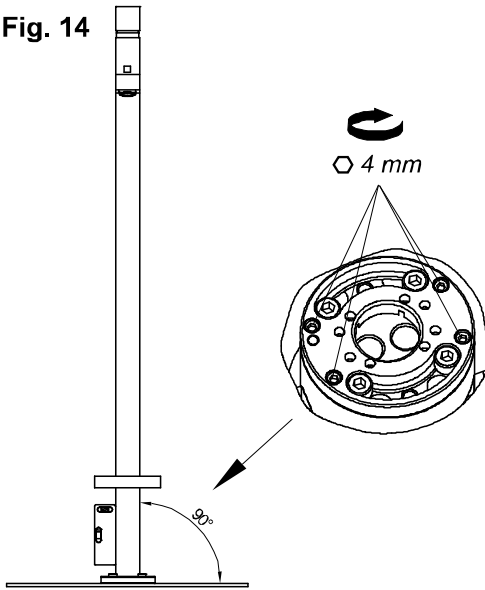
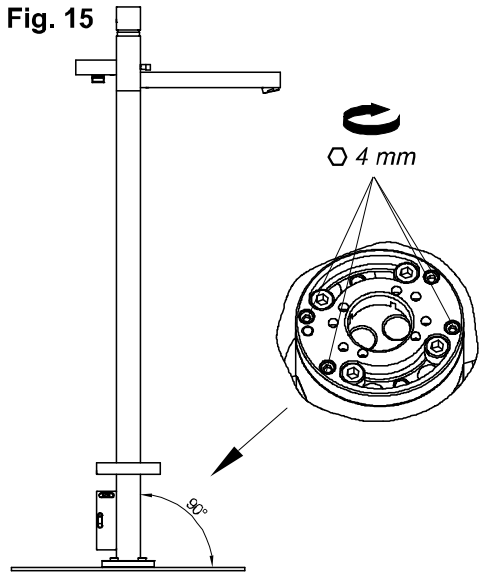
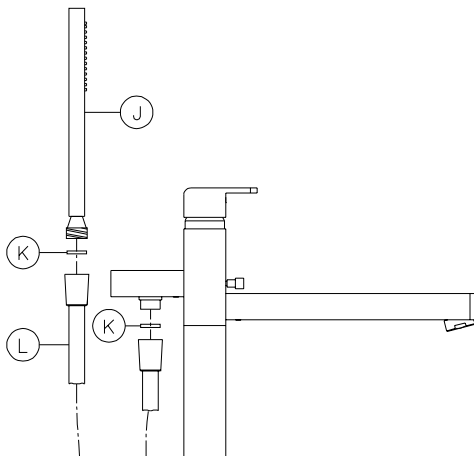


Fig. 15



To ensure the bath filler is vertical the 4 x grub screws can be adjusted as shown above.



3. Fasten shower hose (L) to hand shower (J) and upper body (A) as shown ensuring that seals (K) are in place.

After installation

Once you have visually checked the installation of the new tap and all connections, ensure that all other fittings are closed except the tap which should be left open.

Turn on your water heating system and ensure that your mains stopcock is open. Reconnect both the hot and cold water supplies to this fitting.

Check the function of flow and function of hot, cold and mixed water.

Turn off the tap and check carefully for any leaks around all connections on the fitting and adjoining plumbing.

If possible return to the installation after a longer period to double check for slower leaks. If pressure testing equipment is available check the installation to the maximum recommended pressure.

Clean the tap to remove any marks created during installation as instructed then place a bag over the product to protect the tap until it is ready for use.

Important Technical Data

Minimum operating pressure 1.0 bar
Maximum operating pressure 5.0 bar*

Maximum hot water temperature 70°C*
Recommended hot water temperature 46°C

Note: If these temperatures or pressures are exceeded, even for short periods, damage can result. In these instances a thermostatic mixing or pressure reducing valve should be installed.

For manual mixing products we recommend the installation of a separate TMV2 product to reduce the risk of accidental scalding.

All thermostatic products should be tested and cleaned at least once a year.

Hot and cold supply pressures should be as closely balanced as possible for best results. Supply pipes should maintain the maximum diameter until immediately before the fitting. The differential between the hot and cold water supply temperatures should be sufficient to allow correct mixing function.

All Abode taps are either WRAS approved or manufactured in accordance with recognised European standards. Please ensure that your Abode product is fitted in accordance with Local Water Byelaws.

Where hot and cold water mix within any product, then suitable non return valves should be installed to the hot and cold supplies to prevent backflow.

Whilst assembling this product take care not to accidentally loosen any screwed assemblies. PTFE tape can be used to ensure watertight joins on threaded connections, do not over tighten connections or allow pipes to be twisted or folded.

The installation should be periodically checked for damage, if the property is left unattended for a prolonged period we recommend isolating water supplies.

Abode is a registered trademark of Abode Home Products Limited. All errors and omissions excepted.

Manufacturers Product Reference

AB1281
AB1248

©Abode
10/2014

abode

Abode Home Products Limited, Unit L, Zenith Park, Whaley Road, Barnsley, S75 1HT.
Tel: 01226 283434 Fax: 01226 282434 www.abode.eu

All errors and omissions excepted.