

Product features:

- Metal construction throughout
- Thermostatic valve for safety & comfort
- Supplied complete with flexible tail pipes for fast simple fitting
- Part G compliant for thermostatic bath fillers
- Factory set maximum output temperature 46°C (adjustable)

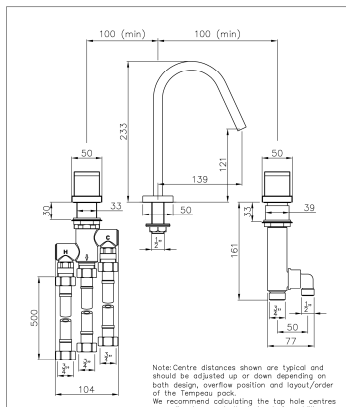
Packaged properties:

Box length: 440 mm **Box depth:** 395 mm
Box width: 255 mm **Boxed weight:** 5.11 kg

Includes pop up waste?: No

Additional comments:

Product dimensions:



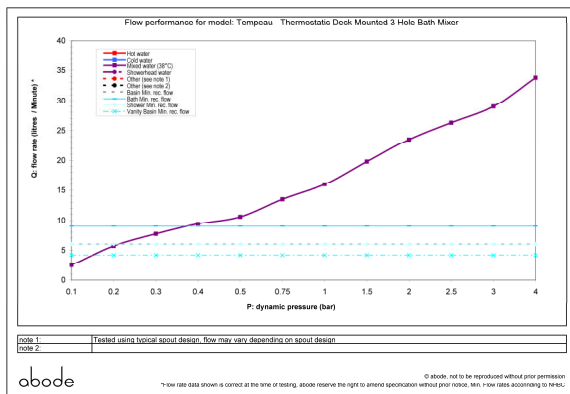
Tempopau
 Extase Thermostatic
 Deck Mounted 3 Hole
 Bath Mixer

AB3007 v1

© abode home products ltd
 www.abode.co.uk
 our priority is to continually
 improve our products,
 and accordingly we reserve the
 right to amend specifications
 without prior notice.

- **Overall Height / projection:** 233 mm
- **Exit reach:** 139 mm
- **Exit height:** 121 mm
- **Centre distance(s):** 100, 100 mm
- **Base diameter(s):** 50, 50, 50 mm
- **Product mounted where:** Deck
- **Recommended hole diameter:** 34-40, 22-32, 34-40 mm
- **Min. fitting depth required:** n/a mm
- **Max. surface depth:** 30 mm

Product flow characteristics:



- **Min / Max water pressure:** 0.40 / 5.50 bar
- **Part G mixed flow rate at 3 bar (l/m):** 29
- **Max water temperature:** 70° C
- **Product flow characteristics:** Single Flow
- **Aerator type:** Flow Straightener
- **Includes output diverter?:** No
- **Control valve type:** Thermostatic & 3/4 QT CD ()
- **Non return valve position:** H&C Inlet
- **Mesh particle filter size:** 0.60 mm
- **Inlet / outlet size:** 1/2" M & 3/4" M / 1/2" M & 3/4" M
- **Inlet type / length:** Flexi / 500 mm
- **Shower hose type / length:** N/A / N/A

Warranty Summary (Full details available on request):

- Materials and workmanship defects warranted for 5 years
- Valves and working parts warranted for 5 years
- Surface warranty defects warranted for 1 year
- O-rings, hoses & gaskets warranted for 1 year

Care instructions:

- Clean the mixers and showers regularly as required, using soap, do not use any other cleaners.
- Regular cleaning will prevent the build up of lime scale and dirt
- After cleaning rinse thoroughly with clean water to remove any cleaner residue
- Residues of liquid soaps, shampoos and shower foams can also cause damage, so rinse with clean water after using, avoid contact with any abrasives