

Product features:

- Metal & ABS construction
- Custom designed for lower range pressures
- Thermostatic valve for safety & comfort
- 5 year limited warranty
- Minimalist planate design form

Packaged properties:

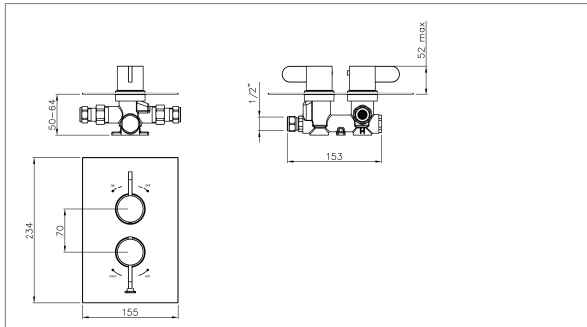
Box length (mm): 270 Box depth(mm): 155
 Box width(mm): 235 Boxed weight (Kg): 3.3

Includes pop up waste?: No

Additional comments:

Includes 2.5mm allen key, optional removable mesh filters and flow limiters (7 l/min)

Product dimensions:



Bliss thermostatic 1 exit concealed shower

AB2226 v2

(c) abode home products ltd
www.abode.eu



our policy is to continually improve and develop products, and accordingly we reserve the right to amend specifications without prior notice

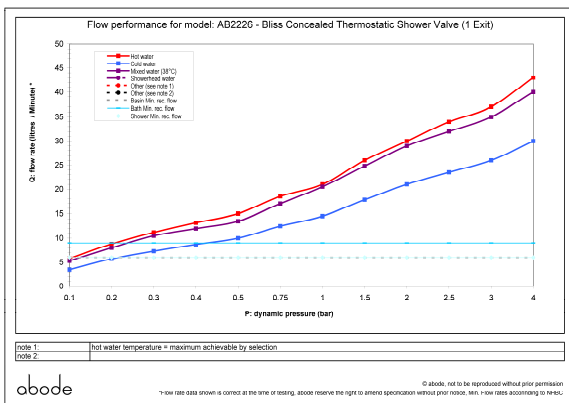
• **Product mounted where:** Wall
 • **Recommended hole size:** 200 x 170 mm

• **Overall Height / projection:** 52 mm
 • **Exit reach:** N/A mm
 • **Exit height:** N/A mm
 • **Base size:** 155 x 234 mm

• **Inlet centre distance(s):** N/A mm

• **Min. fitting depth required:** 50-64 mm
 • **Max. surface depth:** N/A mm

Product flow characteristics:



- **Min / Max water pressure (bar):** 0.20* / 5.00
- **Part G max. mixed flow rate at 3 bar (l/m):** 35
- **Inlet connection type / length:** Fixed / N/A mm
- **Inlet (plumbing connection) / outlet size:** 1/2" M / 1/2" M
- **Product flow characteristics:** N/A
- **Non return valve(s) supplied or position:** h&c inlet
- **Aerator type:** N/A
- **Control valve type:** Thermostatic (new plastic type)
- **Includes output diverter?:** No
- **Inlet meshed particle filters included:** 0.60 mm
- **Shower hose type / length:** N/A / N/A

Warranty Summary (full details available on request):

- Materials and workmanship defects warranted for 5 years
- Valves and working parts warranted for 5 years
- Surface warranty defects warranted for 1 year
- O-rings, hoses & gaskets warranted for 1 year

Care instructions:

- Clean the mixers and showers regularly as required, using soap, do not use any other cleaners.
- Regular cleaning will prevent the build up of lime scale and dirt
- After cleaning rinse thoroughly with clean water to remove any cleaner residue
- Residues of liquid soaps, shampoos and shower foams can also cause damage, so rinse with clean water after using, avoid contact with any abrasives